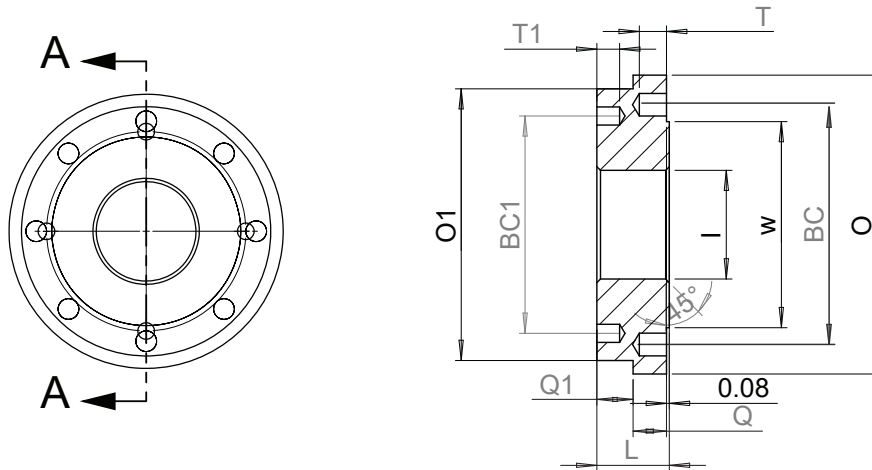


Flange Converters



Dimensions in inches

Design and materials are subject to change without notice.

Part No.	Flange Size I.D.	CLASS 125/150						CLASS 250/300						L	Est. Shipping Weight	
		O1	BC1	Q1	T1	No. of Bolt Holes	Stud Bolt Size	W	BC	O	Q	T	No. of Bolt Holes			Stud Bolt Size
840-130	3	7.5	6	0.8	5/8	4	5/8 x 3	5.67	6.62	8.25	1.13	3/4	8	3/4 x 3-1/2	2	24
840-140	4	9	7.5	0.9	5/8	8	5/8 x 3	6.94	7.88	10	1.25	3/4	8	3/4 x 4	2	28
840-150	5	10	8.5	0.9	3/4	8	3/4 x 3-1/2	8.31	9.25	11	1.37	3/4	8	3/4 x 4	2	32
840-160	6	11	9.5	1	3/4	8	3/4 x 3-1/2	9.69	10.62	12.5	1.44	3/4	12	3/4 x 4	2	42
840-180	8	13.5	11.75	1.15	3/4	8	3/4 x 3-1/2	11.94	13	15	1.63	7/8	12	7/8 x 4	2-1/4	66
840-200	10	16	14.25	1.2	7/8	12	7/8 x 4	14.06	15.25	17.5	1.87	1	16	1 x 5-1/2	2-3/4	100
840-220	12	19	17	1.25	7/8	12	7/8 x 4	16.44	17.75	20.5	2.00	1-1/8	16	1-1/8 x 5-1/2	2-3/4	160
840-240	14	21	18.75	1.28	1-1/8	12	1 x 4-1/2	18.94	20.25	23	2.12	1-1/4	20	1-1/8 x 6-1/2	2-1/2	205
840-260	16	23.5	21.25	1.44	1-1/8	16	1 x 4-1/2	21.06	22.50	25.5	2.25	1-1/4	20	1-1/4 x 6-1/2	2-1/2	258
840-280	18	25	22.75	1.56	1-1/4	16	1-1/8 x 5	23.31	24.75	28	2.37	1-3/8	24	1-1/4 x 6-1/2	2-3/4	369
840-300	20	27.5	25	1.70	1-1/4	20	1-1/8 x 5	25.55	27	30.5	2.50	1-3/8	24	1-1/4 x 7	2-3/4	378
840-340	24	32	29.5	1.90	1-3/8	20	1-1/4 x 5-1/2	30.31	32	36	2.75	1-3/8	24	1-1/2 x 7-1/2	2-3/4	656

Flange converters are the simple solution for connecting pipes, fittings, or valves with incompatible flange drilling specifications.

Material: ASTM A536 Ductile Iron or ASTM A36 Steel
Available with or without stud bolts as listed.



WARNING: This product can expose you to chemicals including lead, which is known to the State of California to cause cancer and birth defects or other reproductive harm. For more information go to www.P65Warnings.ca.gov.



NAPAC - UNITED Distribution Centers

229 Southbridge Street, Worcester, MA 01608
Tel: (800) 807-2215 Fax: (800) 807-2214
www.napacinc.com

Jacksonville, Florida

0820