

# REDI-FLANGE™

## UNITED BRAND

ANSI B16.1 Class 125  
ANSI B16.5 Class 150

**No Welding!**  
**No Threading!**

### STANDARDS:

Ductile Iron - ASTM A536  
Grade 65-45-12. Drilling to  
ANSI B16.1 - 125 lb.  
ANSI B16.5 - 150 lb.

### SET SCREW: AISI

steel. Tensile 160,000  
psi minimum.

**GASKET:** SBR (BUNA-N).

### HYDROSTATIC TEST

#### PRESSURE:

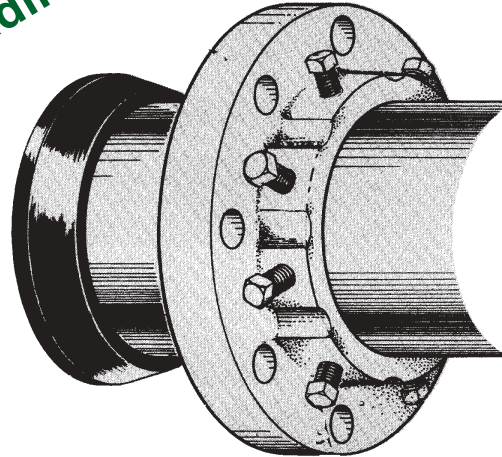
MODEL - RFC-2 - 125 lb./150  
lb.

3 in. - 8 in. 600 psi  
10 in. - 12 in. 525 psi

MODEL - RFC-4 - 125 lb./150  
lb.

3 in. - 12 in. 750 psi  
14 in. - 24 in. 300 psi

The *Redi-Flange* joins valves, fittings and equipment with integral flanged ends to plain end pipe, without the need of pipe end preparation. Absolutely no threading, welding, or grooving is necessary. The working principle of the *Redi-Flange* is relatively simple. Slide the flange over plain end pipe and follow it with a standard mechanical joint gasket. When the *Redi-Flange* is brought to mate against an existing flange, and the flange bolts are tightened, a compression type seal is created against the mating flange, and pipe surface. End restraint is provided when the set screws are tightened.



Nom. Pipe Size	Part No.	D.I. Pipe O.D. RFC-2-D	Steel Pipe O.D. RFC-2-S	Flange O.D.	Bolt Circle	Bolt Hole Dia.	Set Screws		Wgt. Approx.
							No.	Size	
2 1/2	RFC-202	-	2.88	7	5.5	3/4	4	1/2 x 1	4
3	RFC-203	3.96	3.50	7 1/2	6	3/4	4	1/2 x 1	5
4	RFC-204	4.80	4.50	9	7 1/2	3/4	4	1/2 x 1	8
5	RFC-205	-	5.56	10	8 1/2	7/8	8	1/2 x 1	9
6	RFC-206	6.90	6.625	11	9 1/2	7/8	8	1/2 x 1	10
8	RFC-208	9.05	8.625	13 1/2	11 3/4	7/8	8	5/8 x 1 1/4	17
10	RFC-210	11.10	10.75	16	14 1/4	1	12	5/8 x 1 1/4	22
12	RFC-212	13.20	12.75	19	17	1	12	5/8 x 1 1/4	31

Nom. Pipe Size	Part No.	D.I. Pipe O.D. RFC-4-D	Steel Pipe O.D. RFC-4-S	Flange O.D.	Bolt Circle	Boly Hole Dia.	Set Screws		Wgt. Approx.
							No.	Size	
3	RFC-403	3.96	3.50	7 1/2	6	3/4	4	1/2 x 1	8
4	RFC-404	4.80	4.50	9	7 1/2	3/4	4	1/2 x 1	11
6	RFC-406	6.90	6.625	11	9 1/2	7/8	8	5/8 x 1 1/4	14
8	RFC-408	9.05	8.625	13 1/2	11 3/4	7/8	8	5/8 x 1 1/4	21
10	RFC-410	11.10	10.75	16	14 1/4	1	12	5/8 x 1 1/4	38
12	RFC-412	13.20	12.75	19	17	1	12	5/8 x 1 1/4	56
14	RFC-414	15.30	NA	21	18 3/4	1 1/8	12	5/8 x 1 1/4	70
16	RFC-416	17.40	NA	23 1/2	21 1/4	1 1/8	16	5/8 x 1 1/4	79
18	RFC-418	19.50	NA	25	22 3/4	1 1/4	16	3/4 x 2	90
20	RFC-420	21.60	NA	27 1/2	25	1 1/4	20	3/4 x 2	145
24	RFC-424	25.80	NA	32	29 1/2	1 3/8	20	3/4 x 2	175

Form No. U0022

**NAPAC, Inc.**

**229 Southbridge Street , Worcester, MA 01608 U.S.A.**

**Tel: (800) 807-2215 • Fax: (800) 807-2214**