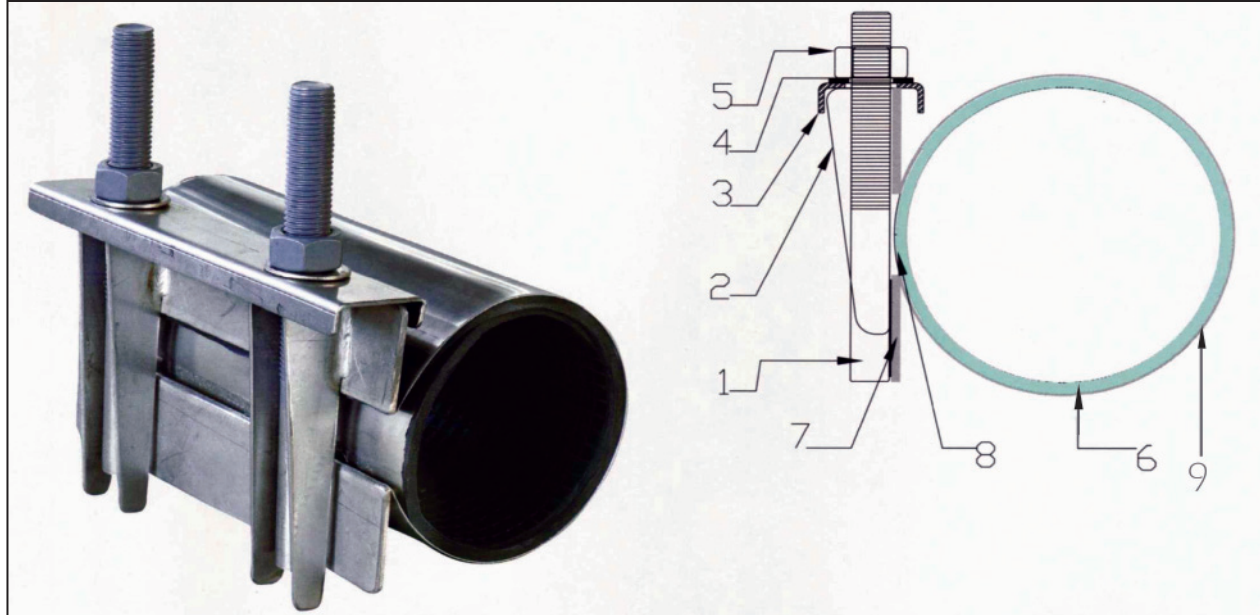


*Cost Effective - Long Lasting Repair on a Variety of Types of Pipe!*



#### Temperature Range

- 40° F - 212° F

#### MATERIALS

No.	Part Name	Material
1	Bolt	ASTM A240 type 304 Stainless Steel with Teflon coating
2	Lug Plate	ASTM A240 Type 304 Stainless Steel
3	Lifter Bar	ASTM A240 Type 304 Heavy Guage Stainless Steel
4	Washer	Type 304 Stainless Steel or Nylon
5	Nut	ASTM A240 Type 304 Stainless Steel - Anit-galling
6	Gridded Gasket	EPDM suitable for potable water and wastewater
7	Side Bar	ASTM A240 Type 304 Heavy Guage Stainless Steel
8	Armor	ASTM A240 Type 304 Stainless Steel Integrally Molded into the gasket to ensure even compression on against pipe
9	Band	Type 304 Stainless Steel offering high strength, flexibility, & resistance to corrossion on underground pipelines

Size	OD Range	Length	Bolt	No. of Bolts
4"	4.53" - 5.04"	8"	5/8"	3
		12"		4
6"	6.61" - 7.17"	8"	5/8"	3
		12"		4
8"	8.86" - 9.45"	8"	5/8"	3
		12"		4
10"	10.63" - 11.34"	12"	5/8"	4
12"	13.10" - 13.50"	12"	5/8"	4

*All Welds are Fully  
Passivated for  
Corrossion Resistance*