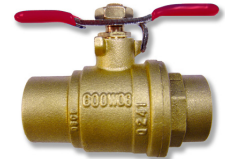
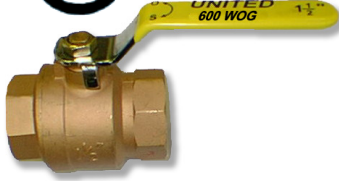


Forged Brass Full Port Ball Valve

Model 2116-T & 2116-S
600 WOG

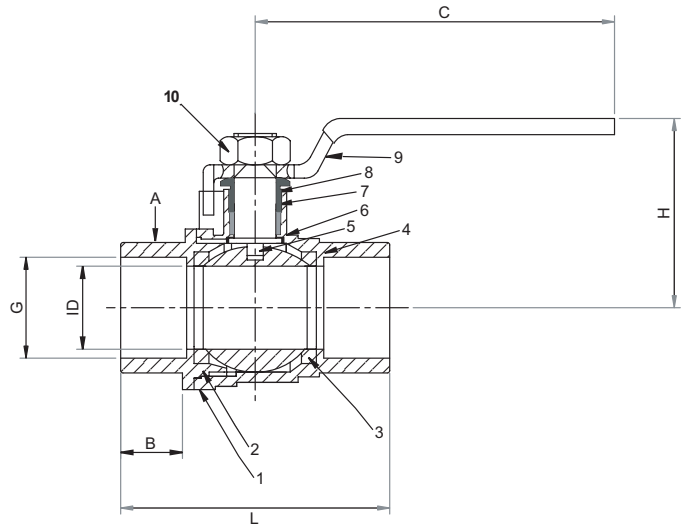
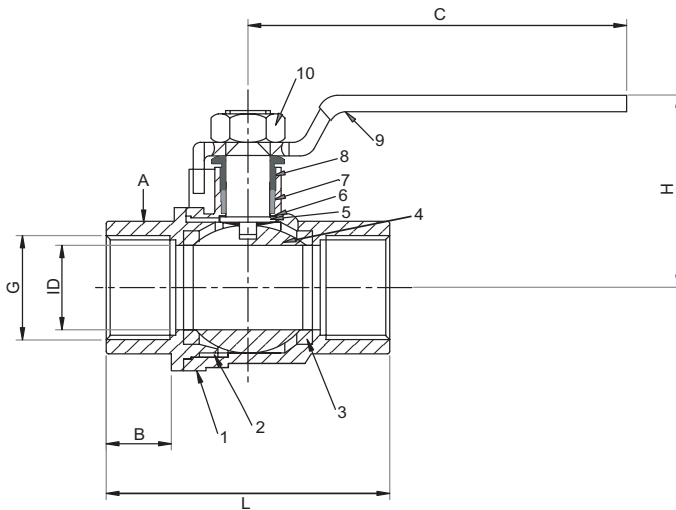
UNITED BRAND



Optional Butterfly Handle

- Two Piece Hot Forged Brass Body
- Explosion Proof Stem
- Double Teflon O-Ring on Stem
- Solid Chrome Plated Brass Ball
- Virgin Teflon Seats

Item No.	Description	Material
1	Body	ASTM C37700
2	Bonnet	ASTM C37700
3	Seal	Teflon
4	Ball	C.P. Forged Brass (ASTM C37700)
5	Stem	ASTM C37700
6	Stem Washer	Teflon
7	Packing	Teflon
8	Packing Gland	ASTM C37700
9	Lever Handle	Chrome Plated Steel w/Vinyl Cover
10	Hex Nut	ASTM C37700



Threaded

DIMENSIONS IN INCHES

C x C

Nominal Size	Part No.	L	ID	H	G	A	B	C
1/4	2116-T-03	1.73	0.40	1.81	1/4-18 NPT	0.81	0.37	3.50
3/8	2116-T-04	1.73	0.40	1.81	3/8-18 NPT	0.81	0.37	3.50
1/2	2116-T-05	1.97	0.58	1.99	1/4-14 NPT	0.98	0.41	3.50
3/4	2116-T-07	2.24	0.75	2.36	3/4-14 NPT	1.22	0.45	4.09
1	2116-T-08	2.66	0.97	2.46	1-11.5 NPT	1.50	0.53	4.63
1-1/4	2116-T-09	3.21	1.27	2.76	1-1/4-11.5 NPT	1.85	0.61	4.63
1-1/2	2116-T-10	3.58	1.57	3.70	1-1/2-11.5 NPT	2.09	0.65	5.71
2	2116-T-11	4.17	2.00	4.02	2-11.5 NPT	2.56	0.69	5.71
2-1/2	2116-T-12	5.35	2.54	4.53	2-1/2-8 NPT	3.35	0.93	9.13
3	2116-T-13	6.32	3.14	4.96	3-8 NPT	3.94	1.06	9.13
4	2116-T-14	7.28	3.93	5.55	4-8 NPT	4.88	1.10	9.13

Nominal Size	Part No.	L	ID	H	G	A	B	C
1/2	2116-S-05	2.26	0.58	1.99	0.63	0.89	0.59	3.50
3/4	2116-S-07	2.81	0.75	2.36	0.88	1.18	0.79	4.09
1	2116-S-08	3.46	0.97	2.46	1.13	1.42	1.02	4.63
1 1/4	2116-S-09	4.17	1.27	2.76	1.38	1.73	1.18	4.63
1 1/2	2116-S-10	4.57	1.57	3.70	1.63	1.97	1.18	5.71
2	2116-S-11	5.35	2.00	4.02	2.13	2.52	1.38	5.71

Form No. U0210

Note: Design subject to change without notice.

HC

NAPAC, Inc.

1205

229 Southbridge Street, Worcester, MA 01608

Tel.: (800) 807-2215 • Fax: (800) 807-2214 • napacinc.com