

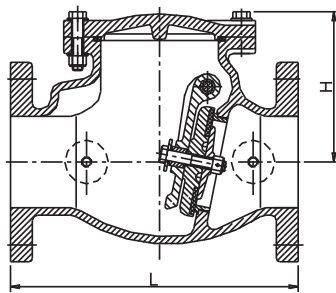
**AWWA C508  
SWING  
CHECK VALVE**

**Model 8700**  
Resilient Seat - 300 psi - Flanged Ends

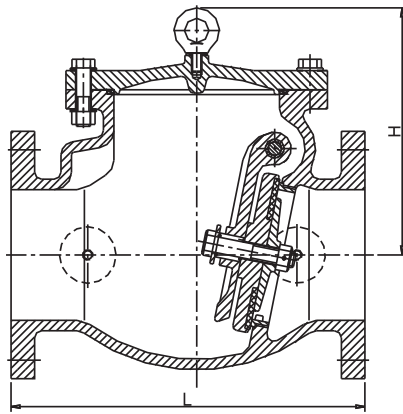


**MATERIAL LIST**

DESCRIPTION	MATERIAL	ASTM SPECIFICATION
Body	Ductile Iron	ASTM, A536 65-45-12
Cover	Ductile Iron	ASTM, A536 65-45-12
Gasket	EPDM	Commercial
Clapper Arm	Ductile Iron	ASTM, A536 65-45-12
Disc Ring	EPDM	Commercial
Disc	Ductile Iron	ASTM, A536 65-45-12
Retainer Washer	Bronze	ASTM, B62
Hinge Pin	Stainless Steel	AISI, 304
Plug Washer	PTFE	Commercial
Seat Ring	Bronze	ASTM, B62



Sizes 2" ~ 4"



Sizes 5" ~ 12"

**Description:**

1. Flange drilling to ANSI 125/150. Metric PN10/PN16 drilling is available upon request.
2. Face to face dimensions conform to AWWA C508
3. Working Temperature:  
-10°C to 120°C (14°F to 248°F) for EPDM
4. Maximum Working Pressure: 300 psi
5. Fusion Bonded Epoxy Coated, Interior and Exterior, AWWA C550.

**DIMENSIONAL DATA**

Nominal Size	Part No.	L	H
2"	8700-F-120	8	5
2-1/2"	8700-F-125	10	6
3"	8700-F-130	11	10
4"	8700-F-140	13	11
6"	8700-F-160	16	11
8"	8700-F-180	19.5	13
10"	8700-F-200	24.5	14
12"	8700-F-220	26	15

Dimensions in inches

Form No. U0025

Note: Design and materials subject to change without notice.



**NAPAC - UNITED Distribution Centers**

229 Southbridge Street, Worcester, MA 01608  
Tel: (800) 807-2215 Fax: (800) 807-2214  
www.napacinc.com

Jacksonville, Florida

0618

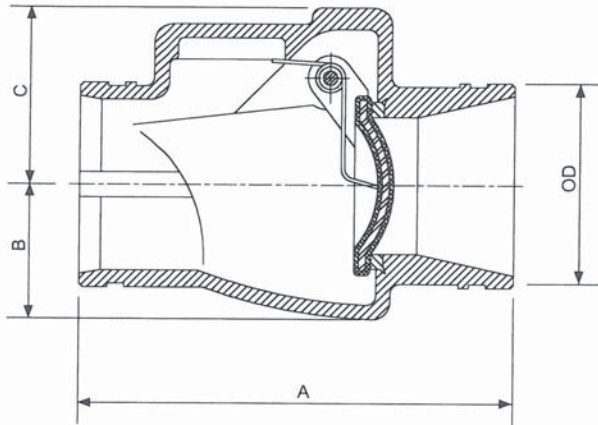
**AWWA C508  
SWING  
CHECK VALVE**

**Model 8700-G**  
Resilient Seat - 300 psi - Grooved Ends  
Clear Waterway



**MATERIAL LIST**

DESCRIPTION	MATERIAL	ASTM SPECIFICATION
Body	Ductile Iron	A536 65-45-12
Disc	Stainless Steel/DI	AISI 304/A536 65-45-12
Disc Seat	EPDM	Commercial
Seat Ring	Bronze	ASTM B62
Spring	Stainless Steel	AISI 304
Hinge Pin	Stainless Steel	AISI 304
Side Plugs	Bronze	ASTM B62



**DIMENSIONAL DATA**

Nominal Size	Part No.	A	B	C	OD
2"	8700-G-120	6.75	1.42	1.85	2.37
2-1/2"	8700-G-125	7.25	1.77	2.24	2.87
3"	8700-G-130	7.75	1.93	2.68	3.50
4"	8700-G-140	8.25	2.99	3.90	4.50
5"	8700-G-150	9.75	4.37	4.49	5.50
6"	8700-G-160	12.75	4.13	5.00	6.50
8"	8700-G-180	14.60	5.12	6.06	8.63
10"	8700-G-200	18.00	6.42	7.40	10.75
12"	8700-G-220	21.00	7.40	8.07	12.75

Dimensions in inches

**Description:**

1. Groove dimensions comply with AWWA C606 standard for steel pipes
2. Maximum Working Pressure: 300 psi
3. Working Temperature:  
-10°C to 120°C (14°F to 248°F) for EPDM
4. Fusion Bonded Epoxy Coated, Interior and Exterior - AWWA C550
5. Two drain plugs

Form No. U0062

Note: Design and materials subject to change without notice.



**NAPAC - UNITED Distribution Centers**

229 Southbridge Street, Worcester, MA 01608  
Tel: (800) 807-2215 Fax: (800) 807-2214  
www.napacinc.com

Jacksonville, Florida

0618