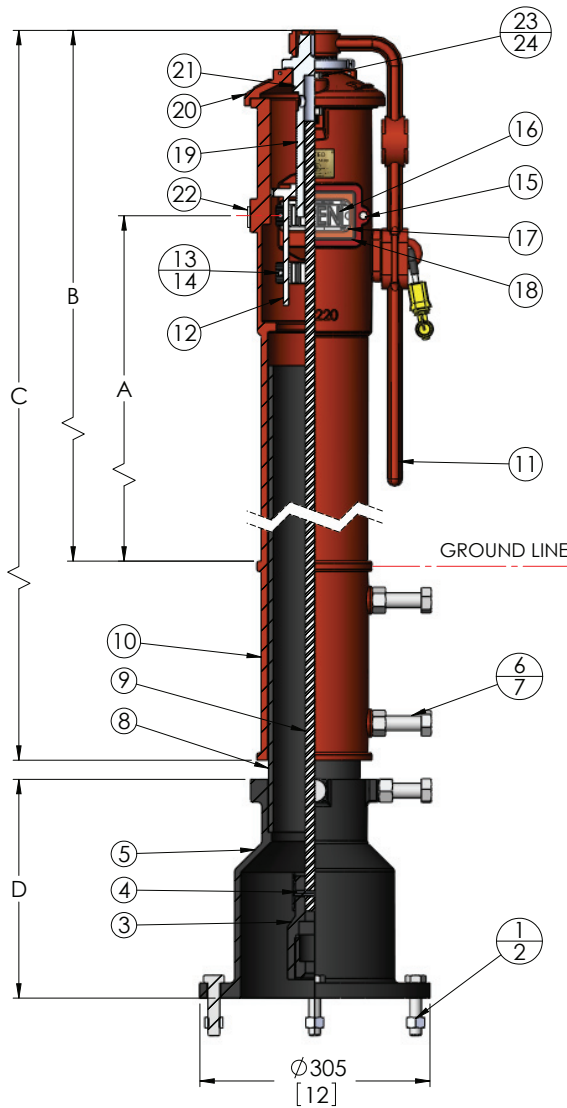


# Model 5400 Adjustable Vertical Indicator Post



Model 5400 for use with valve sizes 3"~16"  
(UL Listed - 4"~12"/ FM Approved - 4"~14")  
All UL/FM Ground Indicator Posts are adjustable for any valve  
bury depth up to 15 feet (to middle of trench)

## MATERIAL LIST



NO.	PART NAME	ASTM SPEC.
1	Hex Cap Screw	Carbon Steel ASTM A307B
2	Hex Nut	Carbon Steel ASTM A307B
3	Crane Coupling	Ductile Iron ASTM A536 Gr. 65-45-12
4	Cotter Pin	Stainless Steel AISI 302
5	Base Flange	Cast Iron ASTM A126 Class B
6	Hex Nut	Carbon Steel ASTM A307B
7	Hex Cap Screw	Carbon Steel ASTM A307B
8	Standpipe	Carbon Steel ASTM A53
9	Stem 1" Square	Carbon Steel AISI 1045
10	Body	Cast Iron ASTM A126 Class B
11	Locking Wrench	Ductile Iron ASTM A536 Gr. 65-45-12
12	Target Carrier Nut	Bronze ASTM B62
		Stainless Steel AISI 304
13	Hex Cap Screw	Carbon Steel ASTM A307B
14	Hex Nut	Carbon Steel ASTM A307B
15	Hex Cap Screw	Carbon Steel ASTM A307B
16	Target	Cast Aluminum
17	Window Glass	Plexiglass
18	Gasket	PTFE
19	Operating Nut	Bronze ASTM B62
		Stainless Steel AISI 304
20	Top Section	Cast Iron ASTM A126 Class B
21	Snap Ring	Stainless Steel AISI 1066
22	Plug	Malleable Iron
23	Square Nut	Carbon Steel ASTM A307B
24	Hex Cap Screw	Carbon Steel ASTM A307B

## DIMENSIONS

Valve Size	Model No.	A	B	C	D
3"~16"	5400	762 (30")	1000 (39.4")	1266 (50.9")	284 (11.2")

### Field Adjustment:

1. Remove the top section from the top of the Indicator Post assembly.
2. Cut the required stem length and adjust the Standpipe to match up the ground line.
3. Set the "OPEN" and "SHUT" targets for the appropriate valve size.
4. Reattach the top section to the top of the Indicator Post assembly.

Form No. U0199

Design and materials are subject to change without notice.



**NAPAC - UNITED Distribution Centers**

229 Southbridge Street, Worcester, MA 01608

Tel: (800) 807-2215 Fax: (800) 807-2214

www.napacinc.com

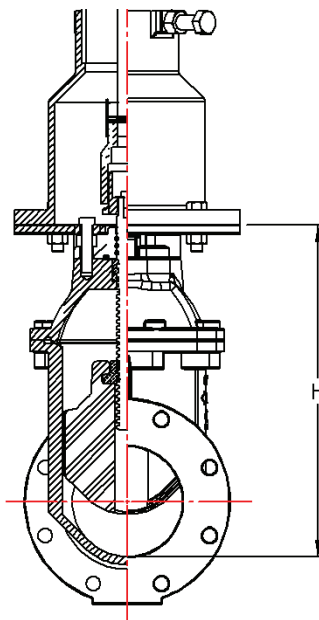
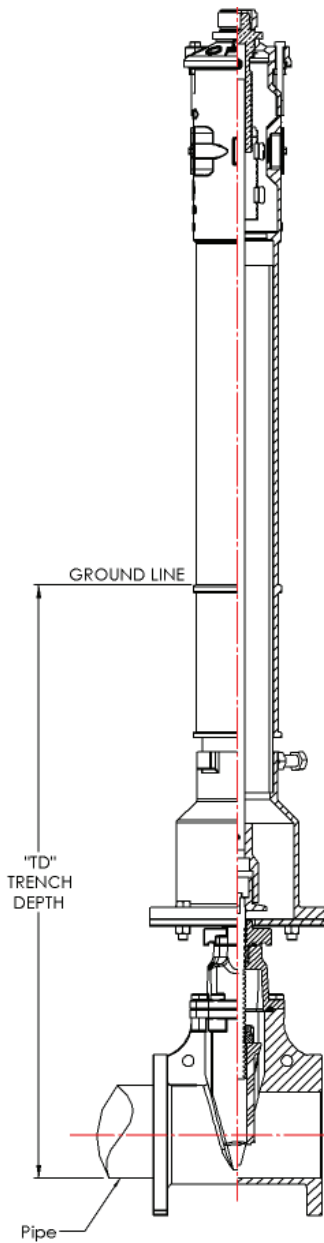
Jacksonville, Florida

0618

# Nominal Installation Dimensions for Model 5400 Vertical Indicator Post



Model 5400 for use with valve sizes 4"~12" (UL Listed - 4"~12"/ FM Approved - 4"~14")  
 All UL/FM Ground Indicator Posts are adjustable for any valve bury depth up to 15 feet (to middle of trench)



United Model 2010-PIV  
 NRS Gate Valve

Valve Size	H
3"	9"
4"	1'-0"
6"	1'-5"
8"	1'-9"
10"	2'-2"
12"	2'-6"
14"	2'-8"
16"	3'-0"

Valve Size	Trench Depth Range (TD)		Trench Depth Range (TD)		Trench Depth Range (TD)		Trench Depth Range (TD)		Trench Depth Range (TD)		Trench Depth Range (TD)	
	A		B		C		D		E		F	
	Min.	Max.	Min.	Max.	Min.	Max.	Min.	Max.	Min.	Max.	Min.	Max.
3"	2'-7"	4'-8"	4'-3"	6'-4"	6'-0"	8'-1"	7'-7"	9'-8"	9'-6"	11'-7"	11'-1"	13'-2"
4"	2'-10"	4'-11"	4'-6"	6'-7"	6'-3"	8'-4"	8'-0"	10'-1"	9'-9"	11'-10"	11'-4"	13'-5"
6"	3'-2"	5'-3"	4'-11"	7'-1"	6'-9"	8'-10"	8'-6"	10'-7"	10'-3"	12'-4"	12'-0"	14'-1"
8"	3'-7"	5'-8"	5'-3"	7'-4"	7'-0"	9'-1"	8'-9"	10'-10"	10'-6"	12'-7"	12'-3"	14'-4"
10"	4'-0"	6'-1"	5'-8"	7'-9"	7'-5"	9'-6"	9'-2"	11'-3"	10'-11"	13'-0"	12'-8"	14'-9"
12"	4'-4"	6'-5"	6'-0"	8'-1"	7'-9"	9'-10"	9'-6"	11'-7"	11'-3"	13'-4"	13'-0"	15'-1"
14"	4'-6"	6'-7"	6'-2"	8'-3"	7'-11"	10'-0"	9'-8"	11'-9"	11'-5"	13'-6"	13'-2"	15'-3"
16"	4'-10"	6'-11"	6'-6"	8'-7"	8'-3"	10'-4"	10'-0"	12'-1"	11'-9"	13'-10"	13'-6"	15'-7"