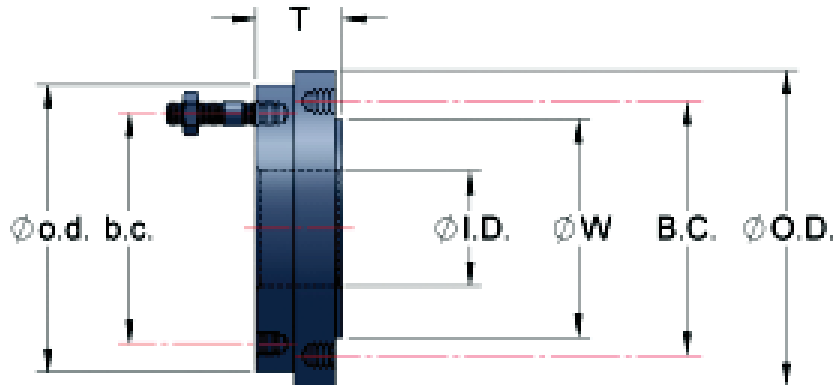
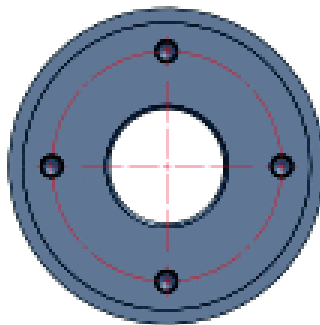


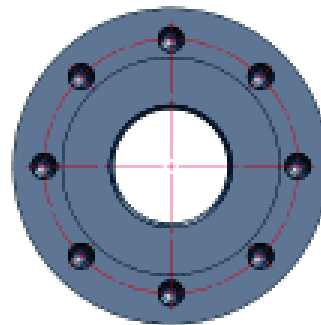
Flange Converters



Class 125/150



Class 250/300



Part No.	CLASS 125/150					CLASS 250/300							Weight
	Flange Size/I.D.	o.d.	b.c.	No. of Bolt Holes	Stud Bolt Size	W	B.C.	O.D.	A	T	No. of Bolt Holes	Stud Bolt Size	
840-130	3	7.50	6.0	4	5/8 x 3	5.69	6.62	8.25	0.06	2	8	3/4 x 3-1/2	24
840-140	4	9	7.5	8	5/8 x 3	6.94	7.88	10	0.06	2	8	3/4 x 3-1/2	28
840-150	5	10	8.5	8	3/4 x 3-1/2	8.31	9.25	11	0.06	2	8	3/4 x 3-1/2	32
840-160	6	11	9.5	8	3/4 x 3-1/2	9.69	10.62	12.5	0.06	2	12	3/4 x 3 1/2	42
840-180	8	13.5	11.75	8	3/4 x 3-1/2	11.94	13	15	0.06	2 1/4	12	7/8 x 4	66
840-200	10	16	14.25	12	7/8 x 4	14.06	15.25	17.5	0.06	2 3/4	16	1 x 4-1/2	100
840-220	12	19	17	12	7/8 x 4	16.44	17.75	20.5	0.06	2 3/4	16	1-1/8 x 5-1/2	160

Flange converters are the simple solution for connecting pipes, fittings, or valves with incompatible flange drilling specifications.

Material: ASTM A536 Ductile Iron or ASTM A36 Steel
Available with or without stud bolts as listed.

Dimensions in inches

Design and materials are subject to change without notice.



NAPAC - UNITED Distribution Centers

229 Southbridge Street, Worcester, MA 01608

Tel: (800) 807-2215 Fax: (800) 807-2214

www.napacinc.com

Jacksonville, Florida

0318