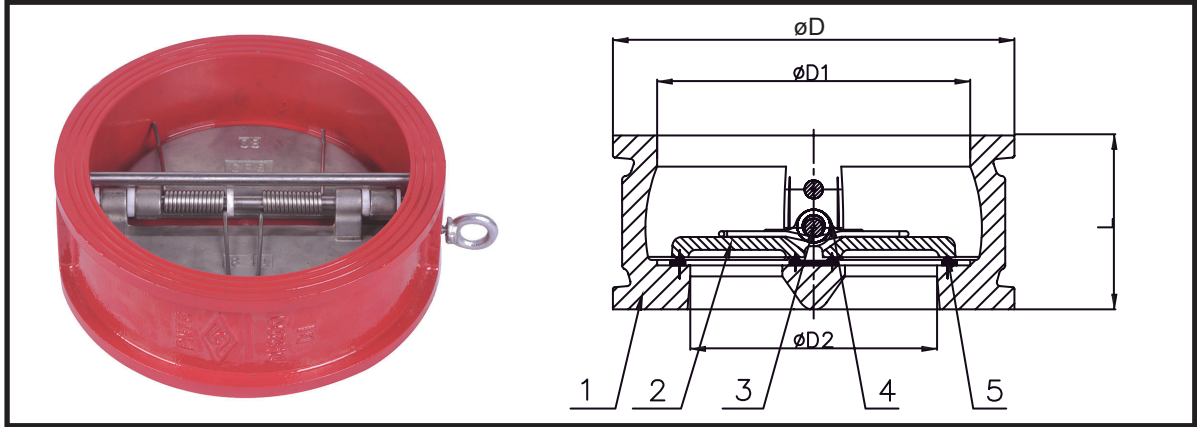


**WAFER  
DOUBLE DOOR  
CHECK VALVE**

**Model 2560**  
Ductile Iron Body  
For Fire Protection Service



**Description:**

1. Connection Ends: Compatible with:  
ASME B16.1 Class 125 and  
ASME B16.5 Class 150 Flanges
2. Working Pressure: 300 PSI
3. Temperature: 0°C to 100°C (32°F to 212°F)
4. Fusion Bonded Epoxy Coated to AWWA C550
5. Vertical or Horizontal installation
6. Short face to face dimension
7. Spring loaded for fast closure
8. Manufactured under a certified ISO 9001 Quality System
9. UL Listed for Fire Protection
10. Manufactured and tested to: UL 312 and API 594.

**Applications:**

- Fire Protection
- Water and Wastewater
- Marine
- HVAC Systems

**MATERIAL LIST**

Item No.	Description	Material
1	Body	Ductile Iron ASTM A536, 65-45-12
2	Disc	Stainless Steel AISI 316
3	Stem	Stainless Steel AISI 420
4	Spring	Stainless Steel AISI 304
5	Rubber Seat	EPDM

**DIMENSIONS**

Size	Part No.	L	D	D1	D2
2"	2560-120	2.13	4.17	2.68	1.81
2-1/2"	2560-125	2.36	5.00	3.07	2.36
3"	2560-130	2.24	5.28	4.02	2.76
4"	2560-140	2.64	6.38	4.61	3.31
5"	2560-150	3.27	7.64	5.71	4.53
6"	2560-160	3.74	8.58	6.69	5.28
8"	2560-180	5.00	10.91	8.90	7.24
10"	2560-200	5.51	13.23	10.43	8.66
12"	2560-220	7.13	15.98	12.20	10.24
14"	2560-240	7.24	17.60	14.17	11.89
16"	2560-260	7.52	19.88	16.14	13.78

Design and materials are subject to change without notice.  
Dimensions in inches



**WARNING:** This product can expose you to chemicals including lead, which is known to the State of California to cause cancer and birth defects or other reproductive harm. For more information go to [www.P65Warnings.ca.gov](http://www.P65Warnings.ca.gov).



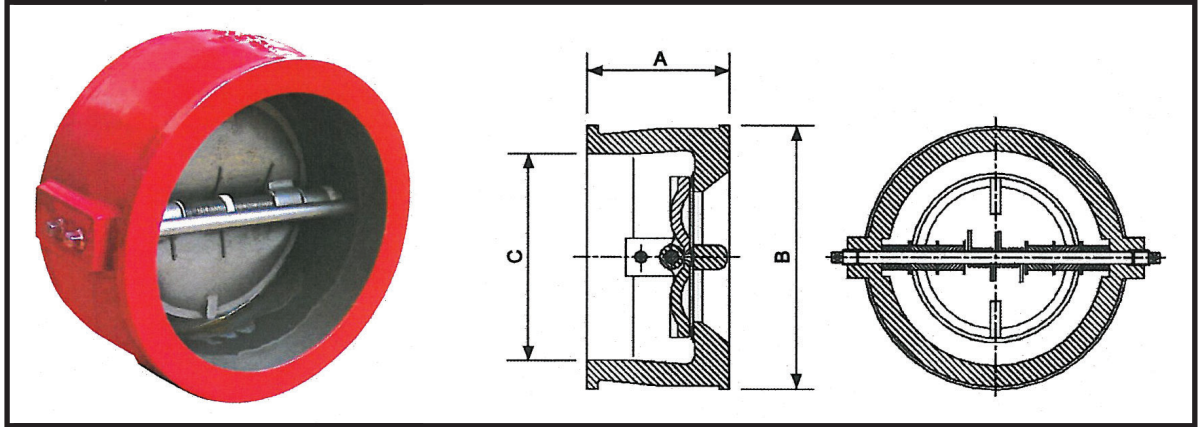
**NAPAC - UNITED Distribution Centers**

229 Southbridge Street, Worcester, MA 01608  
Tel: (800) 807-2215 Fax: (800) 807-2214  
[www.napacinc.com](http://www.napacinc.com)

Jacksonville, Florida

**WAFER  
DOUBLE DOOR  
CHECK VALVE**

**Model 2550**  
Cast Iron Body  
For Fire Protection Service



**Description:**

1. Extremely short face to face dimensions and compact design allows for installation and service in tight spaces
2. Spring assisted for better dynamic behavior
3. Soft seated for perfect tightness even at low differential pressure
4. Flange ends conform to ANSI B16.1 Class 125
5. Working Pressure: 175 PSI
6. Temperature: -10° to 120°C
7. Internally and externally spray painted or fusion bonded epoxy powder coated (FBE)
8. Stainless steel disc for excellent corrosion resistance
9. Horizontal or vertical installation

**MATERIAL LIST**

Item No.	Description	Material
1	Body	Cast Iron ASTM A126 Class B
2	Stop Pin	Stainless Steel AISI 416
3	Hinge Pin	Stainless Steel AISI 416
4	Seat	EPDM
5	Pin Retainer	Stainless Steel AISI 416
6	Gasket	PTFE
7	Washer	PTFE
8	Spacer	PTFE
9	Disc	Stainless Steel ASTM CF8
10	Spring	Stainless Steel AISI 304
11	Lifting Hook	Carbon Steel (for 8", 10" & 12")

**DIMENSIONS**

Size	Part No.	A	B	C	Wgt. (lb.)
4"	2550-140	3-11/16"	6-3/4"	5-3/8"	18.5
6"	2550-160	4-1/8"	8-11/16"	7"	30
8"	2550-180	4-3/4"	11"	9-1/16"	51
10"	2550-200	6-1/16"	13-3/8"	11-1/4"	91
12"	2550-220	7-3/8"	16-1/8"	13-5/16"	150

Dimensions in inches

Design and materials are subject to change without notice.



**WARNING:** This product can expose you to chemicals including lead, which is known to the State of California to cause cancer and birth defects or other reproductive harm. For more information go to [www.P65Warnings.ca.gov](http://www.P65Warnings.ca.gov).



**NAPAC - UNITED Distribution Centers**

229 Southbridge Street, Worcester, MA 01608  
Tel: (800) 807-2215 Fax: (800) 807-2214  
[www.napacinc.com](http://www.napacinc.com)

Jacksonville, Florida