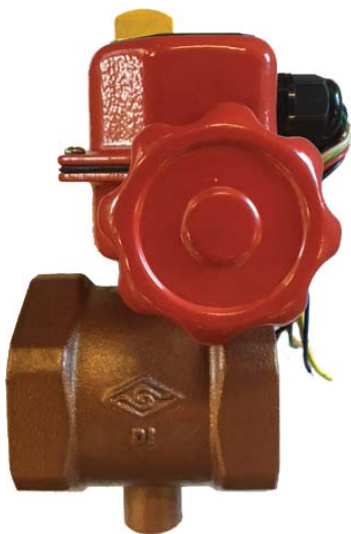


# THREADED BUTTERFLY VALVE

# Model 2400-T with Tamper Switch



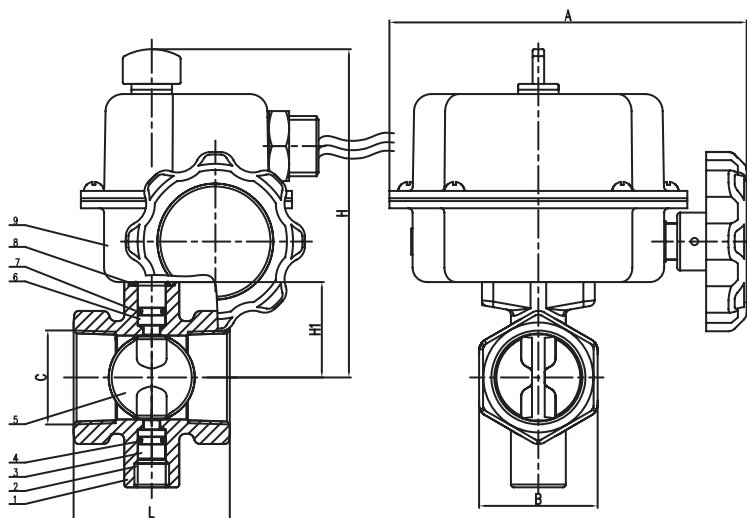
### Description:

1. Manufactured in accordance to UL 1091, UL38 & UL753 standards.
2. Threaded Ends: In Accordance with ASME B1.20.1
3. Fusion Bond Epoxy Coated
4. Working Temperature: 0°C ~ 80°C
5. Working Pressure: 175 psi/12 Bar/non-shock cold water
6. Fire Protection Valve - Full Port Design



### LIST OF MATERIALS

Item No.	Description	Material/Specification
1	Body	Ductile Iron ASTM A536 65-45-12
2	Screw	Zinc Plated Carbon Steel
3	Stem	SS AISI 420
4	O-ring	NBR or EPDM
5	Disc	Carbon Steel/EPDM or Carbon Steel/NBR
6	Stem	SS AISI 420
7	O-ring	NBR or EPDM
8	O-ring	NBR or EPDM
9	Signal Gear Box	Carbon Steel



### DIMENSIONS

Nominal Size	Part No.	L	H	H1	A	B	C
1"	2400-T-100	2.13	4.53	1.30	5.00	1.61	1-11.5 NPT
1-1/4"	2400-T-125	2.64	4.63	1.46	5.00	1.93	1-1/4-11.5 NPT
1-1/2"	2400-T-130	2.90	4.76	1.60	5.00	2.19	1-1/2-11.5 NPT
2"	2400-L-120	3.25	5.16	1.89	5.00	2.80	2-11.5 NPT

Design and materials are subject to change without notice.



## NAPAC - UNITED Distribution Centers

229 Southbridge Street, Worcester, MA 01608  
 Tel: (800) 807-2215 Fax: (800) 807-2214  
 www.napacinc.com

Jacksonville, Florida

0318