

AWWA C515-09 Resilient Seat GATE VALVES

Model 2010-Series A Non Rising Stem



Available:

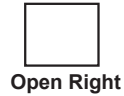
- MJ x Flange
- Flange x Flange
- Flange x Flange w/Metric Raised Face
- MJ x MJ
- MJ X Tapping Flange



MATERIAL LIST

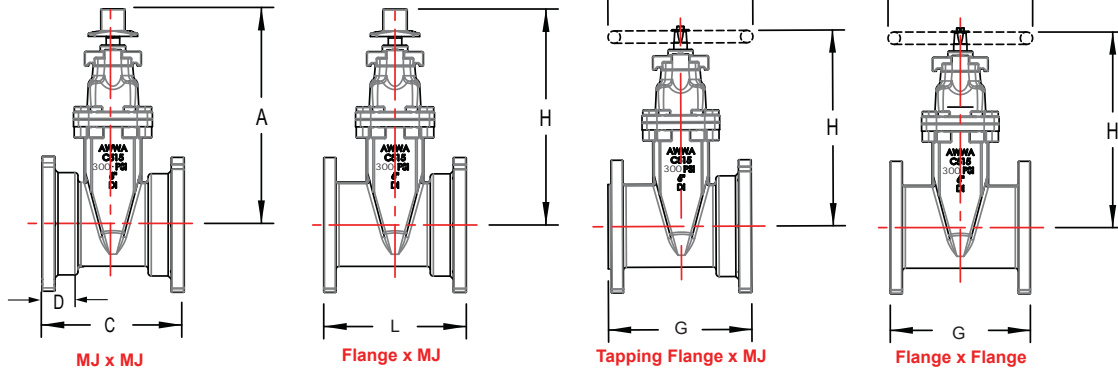
DESCRIPTION	MATERIAL
Hex Bolt	304 Stn. Stl.
Washer	304 Stn. Stl.
Dirt Seal	EPDM
O-Ring (Bonnet Cap, Stem)	EPDM
O-Ring (Bonnet Cap, Bonnet)	EPDM
O-Ring (Stem)	EPDM
O-Ring (Bonnet to Body)	EPDM
Gate	EPDM Encapsulated DI
Operating Nut	Ductile Iron ASTM A536 65-45-12
Stem (2"~12")	AISI 420, 304, 316
Stem (14"~24")	AISI 431, 304, 316
Bonnet Cap	Ductile Iron ASTM A536 65-45-12
Split Ring (Stem)	Bronze C67400
Bonnet	Ductile Iron ASTM A536 65-45-12
Body	Ductile Iron ASTM A536 65-45-12
Bonnet Bolts	304 Stn. Stl.
Gate (Stem) Nut	Bronze C67400
Debris Cap	Plastic

Design and materials are subject to change without notice.



Description:

- Conforms to AWWA C515-09.
- MJ dimensions conform to AWWA C153.
- Flange drilling to ANSI 125/150. Metric PN10/PN16 drilling is available upon request.
- Fusion Bond Epoxy Coated Interior and Exterior to AWWA C550 Standard. NSF-61 Certified.
- 2" Square Operating Nut provided. Color coded black. (open right valves provided with RED operating nuts).
- Compatible with all industry standard Vertical Indicator Posts (NFPA 24).
- Working Pressure:
 - UL/FM rated working pressure: 2"~12" - 300 psi
 - UL/FM rated working pressure: 14"~16" - 250 psi
 - UL rated working pressure: 18" - 250 psi
 - UL rated working pressure: 20" & 24" - 200 psi
 - FM rated working pressure: 18"~24" - 200 psi
- Temperature: -23°C (-10°F) to 110°C (230°F)
- Spur/Bevel Gear Operators are available for sizes 14"~24"



DIMENSIONAL DATA

Size	Part No. (MJ x MJ)	A	C	D	Part No. (Flange x MJ)	L	H	Part No. (Tapping)	G	H	Part No. (Flange x Flange)	G	H	Turns to Open	B Handwheel Ø
2"	2010MM-120-A	10.40	9.25	2.5	2010FM-120-A	8.13	10.40	2010TM-120-A	7.0	9.50	2010FF-120-A	7.0	9.50	6.5	7.00
2-1/2"	2010MM-125-A	11	9.25	2.5	2010FM-125-A	8.13	11	-	-	-	2010FF-125-A	7.5	10.00	8.5	7.50
3"	2010MM-130-A	11.8	9.5	2.5	2010FM-130-A	8.74	11.8	2010TM-130-A	8.0	11.00	2010FF-130-A	8.0	11.00	10.5	8.00
4"	2010MM-140-A	13.8	10	2.5	2010FM-140-A	9.50	13.8	2010TM-140-A	9.0	13.00	2010FF-140-A	9.0	13.00	14	9.00
5"	-	-	-	-	-	-	-	-	-	-	2010FF-150-A	10.0	15.50	16	10.00
6"	2010MM-160-A	17.9	11.5	2.5	2010FM-160-A	11.00	17.9	2010TM-160-A	10.5	17.30	2010FF-160-A	10.5	17.30	20	10.50
8"	2010MM-180-A	21.5	12.5	2.5	2010FM-180-A	12.00	21.5	2010TM-180-A	11.5	20.80	2010FF-180-A	11.5	20.80	25.5	11.50
10"	2010MM-200-A	25.4	14.75	2.5	2010FM-200-A	13.88	25.4	2010TM-200-A	13.0	25.00	2010FF-200-A	13.0	25.00	31.8	13.00
12"	2010MM-220-A	28.8	14.88	2.5	2010FM-220-A	14.44	28.8	2010TM-220-A	14.0	28.30	2010FF-220-A	14.0	28.30	38	14.00
14"	2010MM-240-A	36.1	17	3.5	2010FM-240-A	16.50	36.1	2010TM-240-A	15.0	32.87	2010FF-240-A	15.0	32.87	45	15.00
16"	2010MM-260-A	39.0	17	3.5	2010FM-260-A	16.50	39.0	2010TM-260-A	16.0	35.83	2010FF-260-A	16.0	35.83	51	16.00
18"	2010MM-280-A	41.34	17	3.5	-	-	-	-	-	-	2010FF-280-A	17.0	41.00	57.5	17.00
20"	2010MM-300-A	44.09	18	3.5	-	-	-	-	-	-	2010FF-300-A	18.0	44.00	42	18.00
24"	2010MM-340-A	50.79	20	3.5	-	-	-	-	-	-	2010FF-340-A	20.0	50.79	50.8	20.00

Form No. U0225

Dimensions in inches



NAPAC - UNITED Distribution Centers

229 Southbridge Street, Worcester, MA 01608

Tel: (800) 807-2215 Fax: (800) 807-2214

www.napacinc.com

Jacksonville, Florida