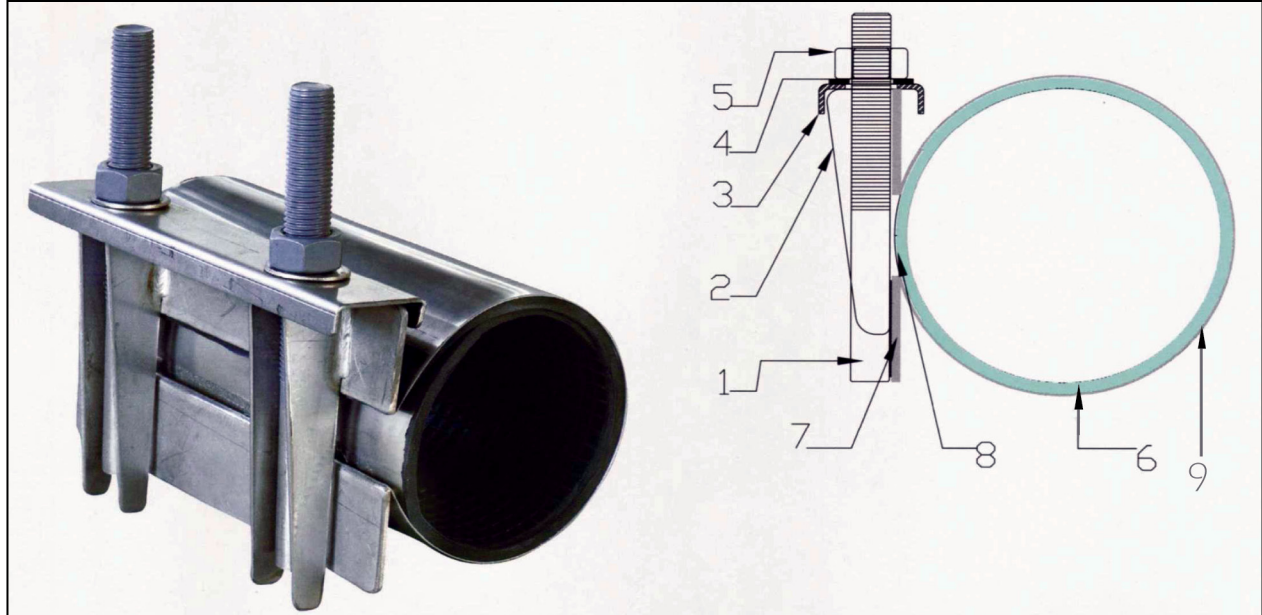




**NAPAC INC.**

# Stainless Steel Repair Clamps

*Cost Effective - Long Lasting Repair on a Variety of Types of Pipe!*



**Temperature Range**

- 40° F - 212° F

**MATERIALS**

No.	Part Name	Material
1	Bolt	ASTM A240 type 304 Stainless Steel with Teflon coating
2	Lug Plate	ASTM A240 Type 304 Stainless Steel
3	Lifter Bar	ASTM A240 Type 304 Heavy Guage Stainless Steel
4	Washer	Type 304 Stainless Steel or Nylon
5	Nut	ASTM A240 Type 304 Stainless Steel - Anit-galling
6	Gridded Gasket	EPDM suitable for potable water and wastewater
7	Side Bar	ASTM A240 Type 304 Heavy Guage Stainless Steel
8	Armor	ASTM A240 Type 304 Stainless Steel Integrally Molded into the gasket to ensure even compression on against pipe
9	Band	Type 304 Stainless Steel offering high strength, flexibility, & resistance to corrossion on underground pipelines

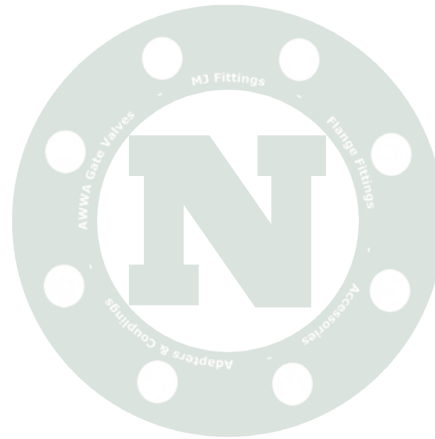
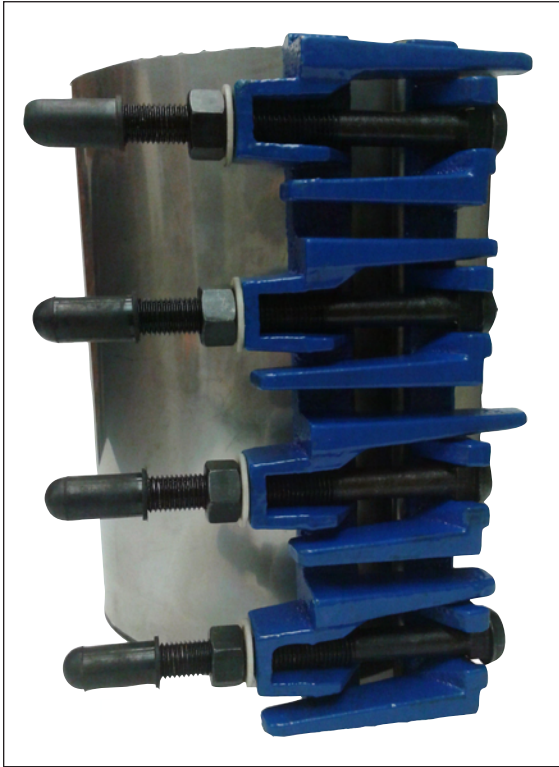
Size	OD Range	Length	Bolt	No. of Bolts
4"	4.53" - 5.04"	8"	5/8"	3
		12"		4
6"	6.61" - 7.17"	8"	5/8"	3
		12"		4
8"	8.86" - 9.45"	8"	5/8"	3
		12"		4
10"	10.63" - 11.34"	12"	5/8"	4
12"	13.10" - 13.50"	12"	5/8"	4

*All Welds are Fully Passivated for Corrossion Resistance*



# NAPAC INC.

## STAINLESS STEEL REPAIR CLAMP w/ DUCTILE IRON LUGS



- |              |  |
|--------------|--|
| Lugs         | • Ductile Iron ASTM A536, 65-12-12                 |
| Bolts & Nuts | • Corrosion Resistant High Strength Low Alloy      |
| Band         | • Stainless Steel 304                              |
| Gasket       | • EPDM - Nominal Temperature Range -20° F to 230°F |
| Coating      | • Fusion Bonded Epoxy                              |

Part Number	Standard				Metric			
	Size in	OD Range inch	Width inch	Unit Wt. lbs.	DN mm	OD Range mm	Width mm	Unit Wt. kgs.
RC25-12-DI	2-1/4 - 2-1/2	2.70-3.0	12	15	65	69-76	300	6.7
RC04-12-DI	4	4.74-5.14	12	18	100	121-130	300	8.1
RC05-12-DI	4-5	5.22-5.62	12	18	125	133-142	300	8.2
RC06-12-DI	6	6.84-7.24	12	19	150	174-183	300	8.9
RC06-18-DI	6	6.84-7.24	18	31	150	174-183	450	14.0
RV08-12-DI	8	8.99-9.39	12	21	200	229-238	300	9.8
RC08-18-DI	8	8.99-9.39	18	35	200	229-238	450	15.9
RC10-12-DI	10	11.04-11.44	12	23	250	281-290	300	10.5
RC12-12-DI	12	13.10-13.50	12	25	300	333-342	300	11.6
RC12-18-DI	12	13.10-13.50	18	40	300	333-342	450	18.6

**RANGE  
UP TO  
0.4"**

- Corrosion Resistant • Stainless Steel Band •
- Fusion Bonded Epoxy Lugs •
- Drop in Bolts •
- Easy Installation •

**3" ~ 12"  
UP TO 350 PSI**