

AWWA C508 SWING CHECK VALVE

Model 7700

ANSI 125 Body • Bolted Cap
Bronze Seat Ring • Buna Seal

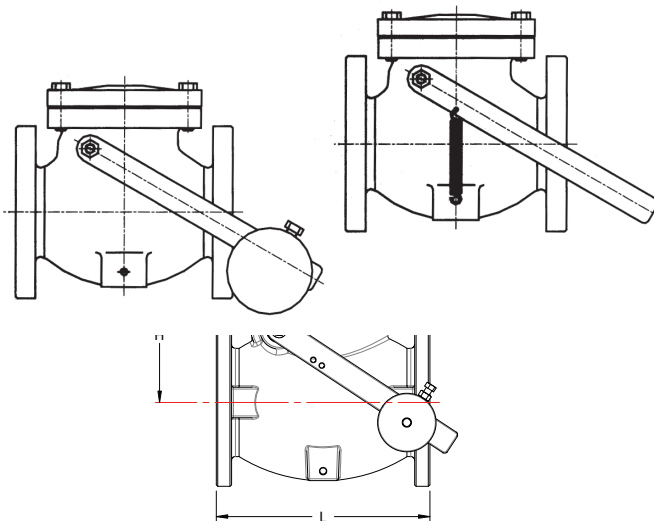
UNITED



Series 7700 (without lever or weight)
Series 7700-LW (with lever & weight)
Series 7700-LS (with lever & spring)

MATERIAL LIST

ITEM NO.	DESCRIPTION	MATERIAL
1	Body	ASTM A126, Class B
2	Stud	AISI 304
3	Nut	AISI 304
4	Washer	AISI 304
5	Hanger	ASTM A126, Class B
6	Clapper and Seal	ASTM A126, Class B NBR
7	Seat Ring	ASTM B62 C83600
8	Spring Pin	AISI 304
9	Hanger Shaft	AISI 304
10	Gasket	NBR
11	Cover	ASTM A126, Class B
12	Bolt	AISI 304
13	Shaft Nut	AISI 304
14	Shaft Washer	AISI 304
15	Lever	AISI 1020
16	Weight	ASTM A126, Class B
17	Washer	PTFE
18	Set Screw	Carbon Steel
19	Packing Nut	Brass



DIMENSIONAL DATA

Nominal Size	Part No.	L	H
2"	7700-F-120-*	8	4-3/4
2-1/2"	7700-F-125-*	8-1/2	5-5/16
3"	7700-F-130-*	9-1/2	5-1/2
4"	7700-F-140-*	11-1/2	6-5/8
5"	7700-F-150-*	13	7-3/18
6"	7700-F-160-*	14	8-15/32
8"	7700-F-180-*	19-1/2	10-1/2
10"	7700-F-200-*	24-1/2	12
12"	7700-F-220-*	27.5	13-1/2
14"	7700-F-240-*	31	17-3/4
16"	7700-F-260-*	36	20-1/2
18"	7700-F-280-*	38	21-5/8
20"	7700-F-300-*	40	23-1/4
24"	7700-F-340-*	48	26-3/4

*Indicate (LW - with lever & weight,

LS - with lever & spring)

Dimensions in inches

Note: Design and materials subject to change without notice.

NOTES:

- Flange drilling to ANSI 125/150. Metric PN10/PN16 drilling is available upon request.
- End to End Dimensions (Laying Length) to AWWA C-508 Standard for Full Waterway Swing Check Valves
- Maximum working pressure-temperature: 200 psi @ -29°C to 64°C (-20°F to 150F).
- Suitable for Water / Sludge / Sewage service
- Fusion Bonded Epoxy Coated Interior and Exterior to AWWA C550. Powder Certified to NSF-61
- Installed with standard flange accessories (AWWA C110).
- Meets all requirements of MSS SP-71.



WARNING: This product can expose you to chemicals including lead, which is known to the State of California to cause cancer and birth defects or other reproductive harm. For more information go to www.P65Warnings.ca.gov.



NAPAC - UNITED Distribution Centers

229 Southbridge Street, Worcester, MA 01608

Tel: (800) 807-2215 Fax: (800) 807-2214

www.napacinc.com

Jacksonville, Florida

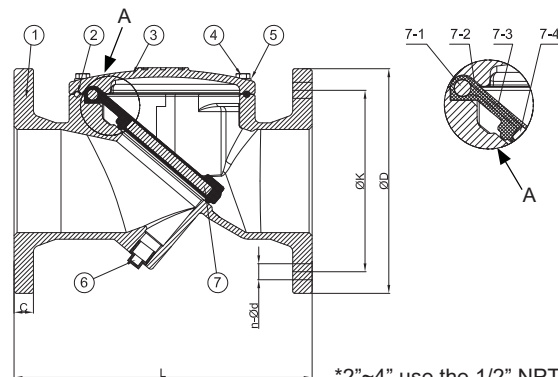
DIMENSIONAL DATA



Size	Part No. (Flanged)	L	ØD	ØK	N-Ød	C
2"	9600-120	8	6	4.74	4-3/4	0.75
2-1/2"	9600-125	8.5	7	5.5	4-3/4	0.87
3"	9600-130	9.5	7.5	6	4-3/4	0.95
4"	9600-140	11.5	9	7.5	8-3/4	0.95
6"	9600-160	14	11	9.5	8-7/8	1
8"	9600-180	19.5	13.5	11.75	8-7/8	1.12
10"	9600-200	24.5	16	14.25	12-1	1.18
12"	9600-220	27.5	19	17	12-1	1.26
14"	9600-240	31	21	18.74	12-1 1/8	1.38
16"	9600-260	36	23.5	21.3	16-1 1/8	1.44
18"	9600-280	36	25	22.75	16-1 1/4	1.57
20"	9600-300	38.5	27.5	25	20-1 1/4	1.70
24"	9600-340	43.25	32	29.5	20-1 3/8	1.90

Description:

1. The disc is precision molded with an integral O-ring type sealing surface, and contains alloy steel with nylon reinforcement in the flexible hinge area.
2. Manufactured with threaded port and a pipe plug on the bottom of the valve to allow for field installation of a back flow actuator.
3. Slamming and water hammer virtually non-existent due to it's short closing travel.
4. Full top-entry access for easy on-line inspection and maintenance.
5. Working Pressure:
250 psi/16 Bar
6. Working Temperature:
-10°C to 82°C (14°F to 180°F) for NBR coated trim
-10°C to 120°C (14°F to 248°F) for EPDM coated trim (optional)
7. Flange drilling to: ANSI 125/150 or EN1092-2 PN10 or PN16.
8. Internally and externally fusion bonded epoxy powder coated (FBE).
9. Manufactured in accordance with AWWA C508, MSS-SP-71.



*2"~4" use the 1/2" NPT plug
6"~24" use the 1" NPT plug

MATERIAL LIST

NO.	DESCRIPTION	MATERIAL	ASTM Spec.
1	Body	Ductile Iron	ASTM A536 65-45-12
2	O-Ring	Rubber	NBR
3	Cover	Ductile Iron	ASTM A536 65-45-12
4	Bolt	Stainless Steel	AISI 304
5	Washer	Stainless Steel	AISI 304
6	*Plug	Stainless Steel	AISI 304
7	Disc	Steel & Rubber	Carbon Steel & NBR/EPDM
7-1	Bar	Stainless Steel	AISI 304
7-2	Lining	Rubber	NBR/EPDM
7-3	Reinforcement Fabric	Nylon	Commercial
7-4	Disc Plate	Steel	Commercial

Dimensions in inches
Design and materials are subject to change without notice.



WARNING: This product can expose you to chemicals including lead, which is known to the State of California to cause cancer and birth defects or other reproductive harm. For more information go to www.P65Warnings.ca.gov.



NAPAC - UNITED Distribution Centers

229 Southbridge Street, Worcester, MA 01608
Tel: (800) 807-2215 Fax: (800) 807-2214
www.napacinc.com

Jacksonville, Florida