

# AWWA C515-09 Resilient Seat POST INDICATOR GATE VALVES

# Model 2010-PIV-Series A Non Rising Stem



### Description:

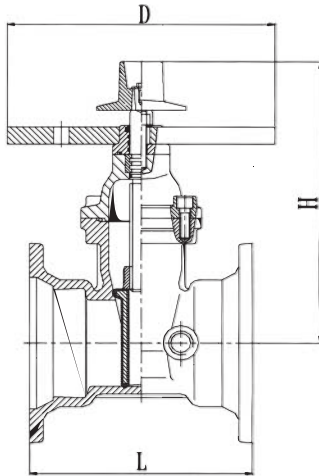
1. Conforms to AWWA C515-09
2. MJ dimensions conform to AWWA C153.
3. Flange drilling to ANSI 125/150. Metric PN10/ PN16 drilling is available upon request.
4. Fusion Bond Epoxy Coated Interior and Exterior to AWWA C550 Standard. NSF-61 Certified.
5. 2" Square Operating Nut provided. Color coded black. (open right valves provided with RED operating nuts).
6. Compatible with all industry standard Vertical Indicator Posts. NFPA 24.
7. Working Pressure:  
UL/FM rated working pressure: 4"~12" - 300 psi  
UL/FM rated working pressure: 14"~16" - 250 psi  
UL rated working pressure: 18" - 250 psi  
UL rated working pressure: 20" & 24" - 200 psi  
FM rated working pressure: 18"~24" - 200 psi
8. Temperature: -23°C (-10°F) to 110°C (230°F)



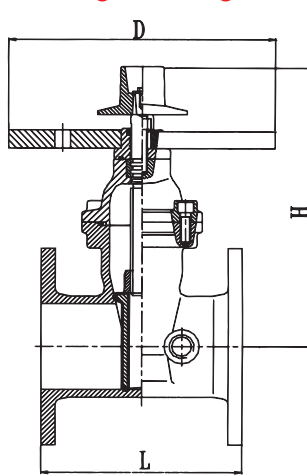
## MATERIAL LIST

DESCRIPTION	MATERIAL
Hex Bolt	304 Stn. Stl.
Washer	304 Stn. Stl.
Dirt Seal	EPDM
O-Ring (Bonnet Cap, Stem)	EPDM
O-Ring (Bonnet Cap, Bonnet)	EPDM
O-Ring (Stem)	EPDM
O-Ring (Bonnet to Body)	EPDM
Gate	EPDM Encapsulated DI
Operating Nut	Ductile Iron ASTM A536 65-45-12
Stem (2"~12")	AISI 420, 304, 316
Stem (14"~24")	AISI 431, 304, 316
Bonnet Cap	Ductile Iron ASTM A536 65-45-12
Split Ring (Stem)	Bronze C67400
Bonnet	Ductile Iron ASTM A536 65-45-12
Body	Ductile Iron ASTM A536 65-45-12
Bonnet Bolts	304 Stn. Stl.
Gate (Stem) Nut	Bronze C67400
Debris Cap	Plastic
Post Plate	Ductile Iron ASTM A536 65-45-12

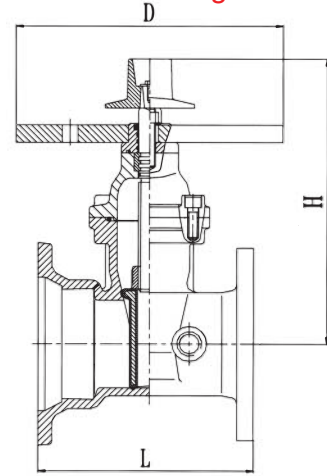
MJ x MJ



Flange x Flange



MJ x Flange



## DIMENSIONAL DATA

Design, dimensions and materials are subject to change without notice.

Size	Part No. (MJ x MJ)	L	H	D	Part No. (FL x FL)	L	H	D	Part No. (MJ x FL)	L	H	D
4"	2010MM-PIV-140-A	10	13.8	12	2010FF-PIV-140-A	9	13.8	12	2010MF-PIV-140-A	9.58	13.8	12
6"	2010MM-PIV-160-A	11.5	17.9	12	2010FF-PIV-160-A	10.5	17.9	12	2010MF-PIV-160-A	11	19.7	12
8"	2010MM-PIV-180-A	12.5	21.5	12	2010FF-PIV-180-A	11.5	21.5	12	2010MF-PIV-180-A	12	21.5	12
10"	2010MM-PIV-200-A	14.75	25.4	12	2010FF-PIV-200-A	13	25.4	12	2010MF-PIV-200-A	13.88	25.4	12
12"	2010MM-PIV-220-A	14.88	28.8	12	2010FF-PIV-220-A	14	28.8	12	2010MF-PIV-220-A	14.44	28.8	12
14"	2010MM-PIV-240-A	17	36.1	12	2010FF-PIV-240-A	15	36.1	12	2010MF-PIV-240-A	16.5	36.1	12
16"	2010MM-PIV-260-A	17	39	12	2010FF-PIV-260-A	16	39	12	2010MF-PIV-260-A	16.5	35.83	12
18"	2010MM-PIV-280-A	17	41.34	12	2010FF-PIV-280-A	17	41.34	12	-	-	-	12
20"	2010MM-PIV-300-A	18	44.09	12	2010FF-PIV-300-A	18	44.09	12	-	-	-	12
24"	2010MM-PIV-340-A	20	50.79	12	2010FF-PIV-340-A	20	50.79	12	-	-	-	12

Form No. U0024

Dimensions in inches



**NAPAC - UNITED Distribution Centers**

229 Southbridge Street, Worcester, MA 01608

Tel: (800) 807-2215 Fax: (800) 807-2214

www.napacinc.com

Jacksonville, Florida

0318