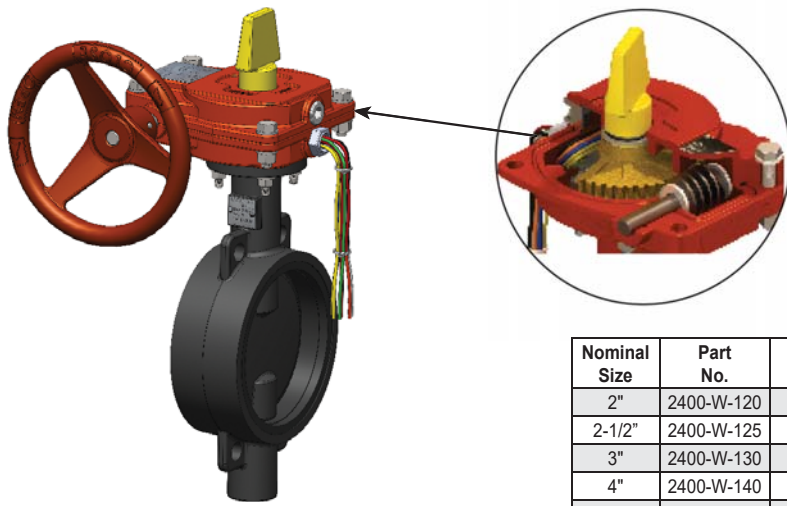


WAFER BUTTERFLY VALVE

Model 2400-W Manually Gear Operated with Tamper Switch



NSF61
NSF372



LISTED

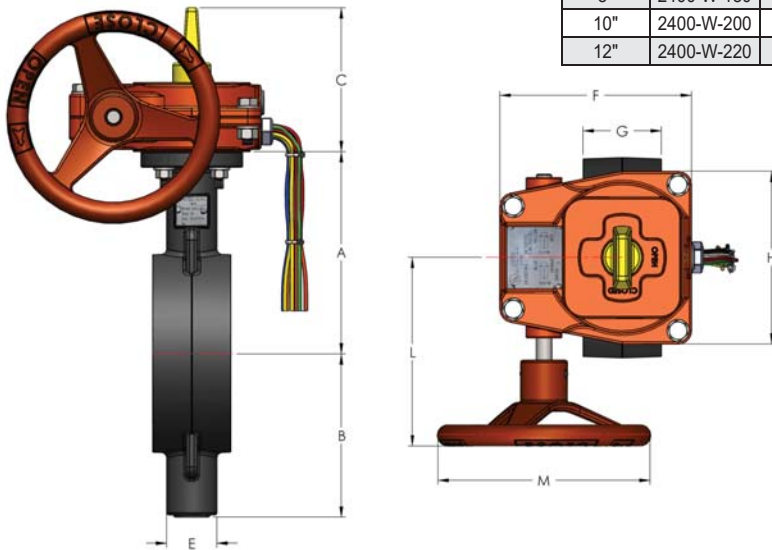


APPROVED

DIMENSIONS

Nominal Size	Part No.	A	B	E	C	F	G	H	L	M
2"	2400-W-120	4.43	2.91	1.69	4.72	6.70	2.55	6.10	6.00	8.00
2-1/2"	2400-W-125	4.65	3.34	1.77						
3"	2400-W-130	5.12	3.75	1.81						
4"	2400-W-140	5.70	4.52	2.02						
5"	2400-W-150	6.30	5.11	2.20						
6"	2400-W-160	6.88	5.70	2.22	6.30	8.90	3.34	8.11	7.87	12.00
8"	2400-W-180	7.87	6.69	2.36						
10"	2400-W-200	9.84	8.18	2.69						
12"	2400-W-220	10.82	9.35	3.12						

Dimensions in Inches



LIST OF MATERIALS

	Description	Material/Specification
Valve	Body	Ductile Iron ASTM A536 65-45-12
	Shaft	Stn. Stl. AISI 420
	Disc	Ductile Iron ASTM A536 65-45-12
	Seat	EPDM
Gear Operator	Housing	Ductile Iron ASTM A536 65-45-12
	Cover	Cast Iron ASTM A126 Class B
	Worm	Steel AISI 1045
	Worm Gear	Ductile Iron ASTM A536 65-45-12
	Handwheel	Ductile Iron ASTM A536 65-45-12

Description:

1. Single piece through shaft.
2. Vulcanized seat design for bubble-tight shut-off at 300 psi
3. Flag type position indicator
4. Low torque operation, high cycle life
5. Built-in supervisory switch
6. Top flange to ISO 5211/1
7. Flange designed to ANSI B16.1 Class 125
8. Working Pressure: 2"~8" - 300 psi,
10" & 12" - 250 psi
9. Working Temperature: 33°F to 125°F
10. Internally and externally fusion bonded epoxy powder coated (FBE)

Design and materials are subject to change without notice.

NAPAC, Inc.

229 Southbridge Street, Worcester, MA 01608

Tel: (800) 807-2215 Fax: (800) 807-2214 www.napacinc.com Email: sales@napacinc.com