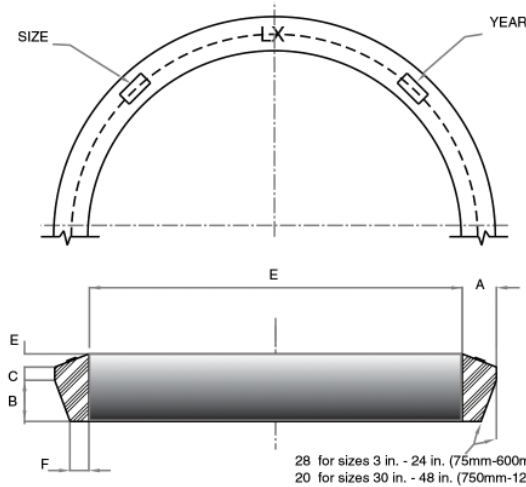


Mechanical Joint Gaskets (for AWWA C110 & C153 Fittings)

UNITED

Standard AWWA C111/ANSI A21.11



Material: SBR
Durometer 75 ±5

Standard Mechanical-Joint Gasket (D.I. Pipe O.D.)

Part No.	Size	Pipe O.D.	A	B	C	D	E	F	G
410C-03-SBR	3	3.96	0.48	0.62	0.31	3.86	0.12	0.15	1.05
410C-04-SBR	4	4.80	0.62	0.75	0.31	4.68	0.16	0.22	1.22
410C-06-SBR	6	6.90	0.62	0.75	0.31	6.73	0.16	0.22	1.22
410C-08-SBR	8	9.05	0.62	0.75	0.31	8.85	0.16	0.22	1.22
410C-10-SBR	10	11.10	0.62	0.75	0.31	10.87	0.16	0.22	1.22
410C-12-SBR	12	13.20	0.62	0.75	0.31	12.95	0.16	0.22	1.22
410C-14-SBR	14	15.30	0.62	0.75	0.31	14.99	0.16	0.22	1.22
410C-16-SBR	16	17.40	0.62	0.75	0.31	17.0	0.16	0.22	1.22
410C-18-SBR	18	19.50	0.62	0.75	0.31	19.13	0.16	0.22	1.22
410C-20-SBR	20	21.60	0.62	0.75	0.31	21.20	0.16	0.22	1.22
410C-24-SBR	24	25.80	0.62	0.75	0.31	25.34	0.16	0.22	1.22
410C-30-SBR	30	32.00	0.73	1.00	0.38	31.47	0.16	0.37	1.54
410C-36-SBR	36	38.30	0.73	1.00	0.38	37.67	0.16	0.37	1.54
410C-42-SBR	42	44.50	0.73	1.00	0.38	43.78	0.16	0.37	1.54
410C-48-SBR	48	50.80	0.73	1.00	0.38	49.98	0.16	0.37	1.54

Transition Mechanical-Joint Gasket (Steel Pipe O.D.)

Part No.	Size	Pipe O.D.	A	B	C	D	E	F	G
410S-02-SBR	2	2.375	0.58	0.62	0.31	2.32	0.12	0.23	1.05
410S-025-SBR	2-1/2	2.875	0.52	0.62	0.31	2.80	0.12	0.19	1.05
410S-03-SBR	3	3.500	0.94	0.62	0.31	3.40	0.12	0.38	1.05
410S-04-SBR	4	4.500	0.91	0.75	0.31	4.38	0.16	0.37	1.22
410S-05-SBR	5	5.563	0.69	0.75	0.31	5.40	0.16	0.29	1.22
410S-06-SBR	6	6.625	0.90	0.75	0.31	6.45	0.16	0.36	1.22
410S-08-SBR	8	8.625	1.05	0.75	0.31	8.42	0.16	0.43	1.22
410S-10-SBR	10	10.750	0.97	0.75	0.31	10.52	0.16	0.39	1.22
410S-12-SBR	12	12.750	13.07	0.75	0.31	12.50	0.16	0.45	1.22

Transition Mechanical-Joint Gasket (MJ x SDR 35)

Part No.	Size	Pipe O.D.	A	B	C	D	E	F	G
410SDR-04-SBR	4	4.21	0.91	0.75	0.31	4.10	0.16	0.51	1.22
410SDR-06-SBR	6	6.27	0.93	0.75	0.31	6.11	0.16	0.53	1.22
410SDR-08-SBR	8	8.40	0.95	0.75	0.31	8.20	0.16	0.55	1.22
410SDR-10-SBR	10	10.50	0.92	0.75	0.31	10.27	0.16	0.52	1.22
410SDR-12-SBR	12	12.50	0.97	0.75	0.31	12.25	0.16	0.57	1.22



WARNING: This product can expose you to chemicals including lead, which is known to the State of California to cause cancer and birth defects or other reproductive harm. For more information go to www.P65Warnings.ca.gov.



NAPAC - UNITED Distribution Centers

229 Southbridge Street, Worcester, MA 01608
Tel: (800) 807-2215 Fax: (800) 807-2214
www.napacinc.com

1218

Jacksonville, Florida