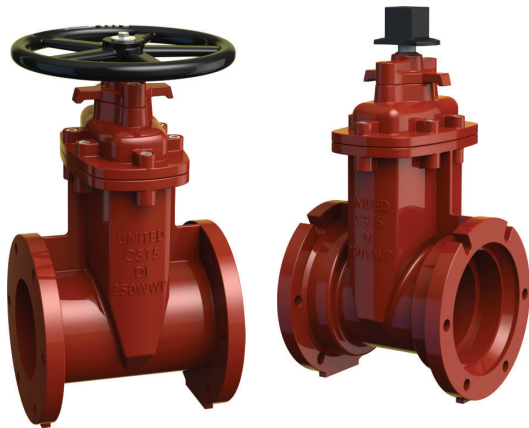


**AWWA C509/C515
Resilient Seat
GATE VALVES**

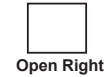
**Model 1010
Non Rising Stem**



MATERIAL LIST

DESCRIPTION	MATERIAL
Body	Ductile Iron ASTM A536 65-45-12
Wedge	EPDM Encapsulated DI
Wedge Nut	Bronze C95200
Stem	Stainless Steel AISI 420 (Optional SS304, SS316)
Bonnet	Ductile Iron ASTM A536 65-45-12
Wedge Nut Gasket	EPDM
Stem Bushing	Nylon/Brass ASTM B124 C37700
O-ring	EPDM
Gland	Ductile Iron ASTM A536 65-45-12
Handwheel/Operating Nut	Ductile Iron ASTM A536 65-45-12
Bonnet Gasket	EPDM
Bonnet/Gland Bolt	Stainless Steel AISI 304
Debris Cap	EPDM
Handwheel/ Op. Nut Bolt	Stainless Steel AISI 304

Design, dimensions and materials are subject to change without notice.

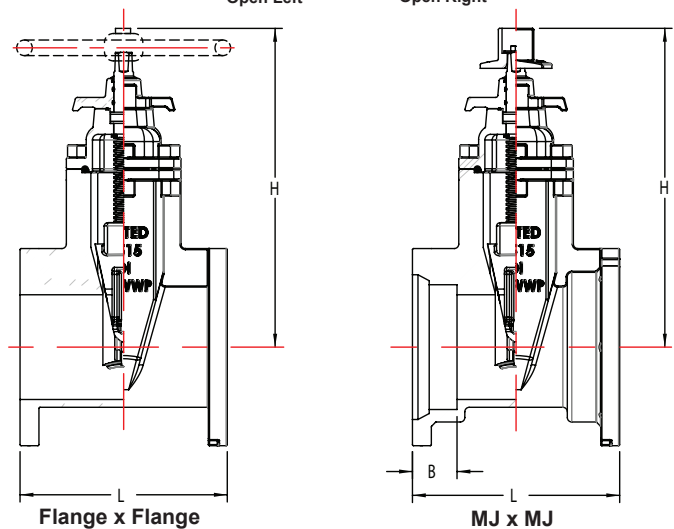


Available:

- Flange x Flange
- MJ x MJ
- Flange x MJ

Description:

- Conforms to AWWA C509/C515, MSS-SP-70
- Fusion Bond Epoxy Coated Interior and Exterior, AWWA C550. Epoxy Powder Certified to NSF-61.
- 2" square nut or optional handwheel at customer's request.
- Open right valves supplied with red operating nut.
- Temperature: 2°C (35°F) to 82°C (180°F)
- Working Pressure:
3"~24" - 250 psi - 30"~48" - 150 psi
(2"~16" FM rated)
- Flanged ends conform with ANSI B16.1 Class 125.



DIMENSIONAL DATA

Size	Part No. (Flange x Flange)	L	Part No. (MJ x MJ)	L	Part No. (Flange x MJ)	L	B	H	No. of Turns	Handwheel Ø
2"	1010FF-120	7	1010MM-120	8	-	-	2.5	10.31	6.5	7
3"	1010FF-130	8	1010MM-130	8	1010FM-130	9	2.5	11.14	10	8
4"	1010FF-140	9	1010MM-140	9	1010FM-140	9.5	2.5	13.82	13	10
6"	1010FF-160	10.5	1010MM-160	10.5	1010FM-160	11	2.5	17.83	18.5	12
8"	1010FF-180	11.5	1010MM-180	11.5	1010FM-180	12	2.5	22.01	24.5	14
10"	1010FF-200	13	1010MM-200	13	1010FM-200	14	2.5	26.30	30.5	15.7
12"	1010FF-220	14	1010MM-220	14	1010FM-220	15.5	2.5	29.65	36.5	20
14"	1010FF-240	15	1010MM-240	15	1010FM-240	16.5	3.5	36.14	45	23.6
16"	1010FF-260	16	1010MM-260	16	1010FM-260	19.5	3.5	38.39	51	23.6
18"	1010FF-280	17	1010MM-280	17	-	-	3.5	41.0	57.5	27.5
20"	1010FF-300	18	1010MM-300	18	-	-	3.5	44.0	42.5	27.5
24"	1010FF-340	20	1010MM-340	20	-	-	3.5	46.0	51	27.5
30"	1010FF-400	24	-	-	-	-	-	60.0	94	27.5
36"	1010FF-460	26	-	-	-	-	-	61.0	75	27.5
42"	1010FF-520	28	-	-	-	-	-	71.0	100	27.5
48"	1010FF-580	44	-	-	-	-	-	83.0	112.5	27.5

Dimensions in inches -
Sizes 30" thru 48" are supplied
with manual gear operators



WARNING: This product can expose you to chemicals including lead, which is known to the State of California to cause cancer and birth defects or other reproductive harm. For more information go to www.P65Warnings.ca.gov.



NAPAC - UNITED Distribution Centers

229 Southbridge Street, Worcester, MA 01608
Tel: (800) 807-2215 Fax: (800) 807-2214
www.napacinc.com

Jacksonville, Florida



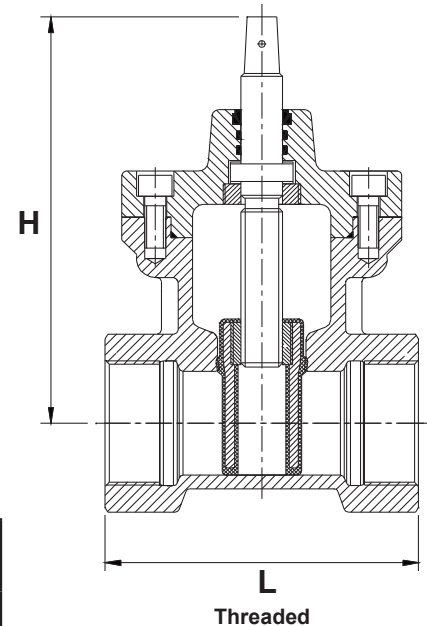
MATERIAL LIST

ITEM NO.	DESCRIPTION	MATERIAL
1	Body	Ductile Iron, ASTM A536
2	Bonnet	Ductile Iron, ASTM A536
3	Wedge	Ductile Iron w/EPDM Encapsulated
4	Spit Ring	Bronze C-83600
5	Stem	420 Stainless Steel
6	Wedge Nut	Bronze C-83600
7	Operation Nut or Handwheel	Ductile Iron, ASTM A536
8	Stuffing Box Gland	Ductile Iron, ASTM A536
9	Gasket	EPDM
10	O-Ring	EPDM
11	Fasteners	304 Stainless Steel

Design, dimensions and materials are subject to change without notice.

Description:

1. Conforms to AWWA C509/C515-09, MSS-SP-70
2. Epoxy coated inside and outside to AWWA C550
3. 2" square Operation Nut or optional handwheel at customer's request.
4. Open right valves supplied with red operating nut.
5. Threaded Ends for IPS Pipe
6. Threaded ends conform to ASM B1.20.1
7. WWP: 250 psi



DIMENSIONAL DATA

Size	Part No.	L	H
2"	1010TT-120	7.00	10.50
2-1/2"	1010TT-125	7.50	11.00
3"	1010TT-130	8.00	12.00
4"	1010TT-140	9.00	13.80

Dimensions in inches



WARNING: This product can expose you to chemicals including lead, which is known to the State of California to cause cancer and birth defects or other reproductive harm. For more information go to www.P65Warnings.ca.gov.



NAPAC - UNITED Distribution Centers

229 Southbridge Street, Worcester, MA 01608
Tel: (800) 807-2215 Fax: (800) 807-2214
www.napacinc.com

Jacksonville, Florida