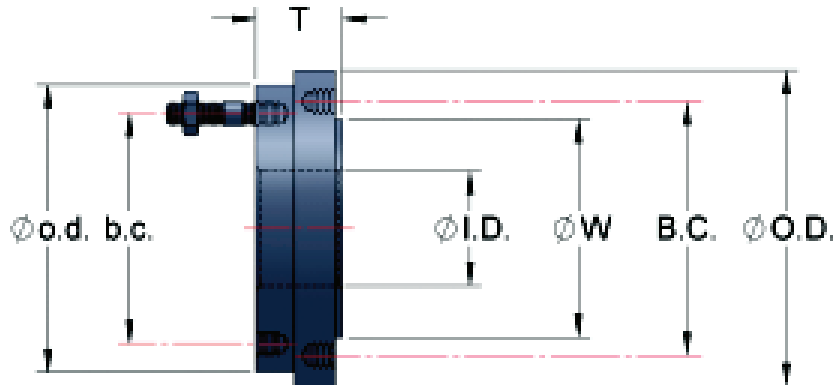
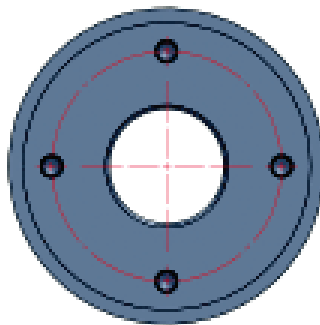


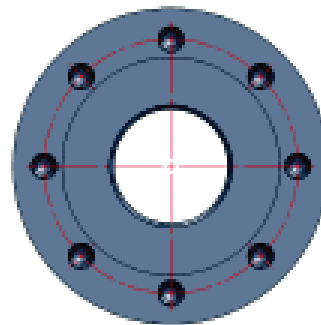
Flange Converters



Class 125/150



Class 250/300



Part No.	CLASS 125/150					CLASS 250/300							Weight
	Flange Size/I.D.	o.d.	b.c.	No. of Bolt Holes	Stud Bolt Size	W	B.C.	O.D.	A	T	No. of Bolt Holes	Stud Bolt Size	
840-130	3	7.50	6.0	4	5/8 x 3	5.69	6.62	8.25	0.06	2	8	3/4 x 3-1/2	24
840-140	4	9	7.5	8	5/8 x 3	6.94	7.88	10	0.06	2	8	3/4 x 3-1/2	28
840-150	5	10	8.5	8	3/4 x 3-1/2	8.31	9.25	11	0.06	2	8	3/4 x 3-1/2	32
840-160	6	11	9.5	8	3/4 x 3-1/2	9.69	10.62	12.5	0.06	2	12	3/4 x 3 1/2	42
840-180	8	13.5	11.75	8	3/4 x 3-1/2	11.94	13	15	0.06	2 1/4	12	7/8 x 4	66
840-200	10	16	14.25	12	7/8 x 4	14.06	15.25	17.5	0.06	2 3/4	16	1 x 4-1/2	100
840-220	12	19	17	12	7/8 x 4	16.44	17.75	20.5	0.06	2 3/4	16	1-1/8 x 5-1/2	160

Dimensions in inches

Design and materials are subject to change without notice.

Flange converters are the simple solution for connecting pipes, fittings, or valves with incompatible flange drilling specifications.

Material: ASTM A536 Ductile Iron or ASTM A36 Steel
Available with or without stud bolts as listed.



WARNING: This product can expose you to chemicals including lead, which is known to the State of California to cause cancer and birth defects or other reproductive harm. For more information go to www.P65Warnings.ca.gov.



NAPAC - UNITED Distribution Centers

229 Southbridge Street, Worcester, MA 01608

Tel: (800) 807-2215 Fax: (800) 807-2214

www.napacinc.com

Jacksonville, Florida