

THREADED BUTTERFLY VALVE

Model 2400-T with Tamper Switch



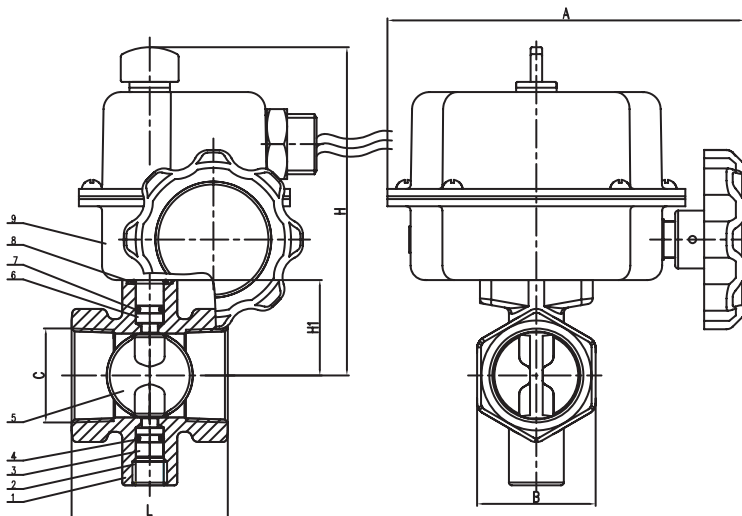
Description:

1. Manufactured in accordance to UL 1091, UL38 & UL753 standards.
2. Threaded Ends: In Accordance with ASME B1.20.1
3. Fusion Bond Epoxy Coated
4. Working Temperature: 0°C ~ 80°C
5. Working Pressure: 175 psi/12 Bar/non-shock cold water
6. Fire Protection Valve - Full Port Design



LIST OF MATERIALS

Item No.	Description	Material/Specification
1	Body	Ductile Iron ASTM A536 65-45-12
2	Screw	Zinc Plated Carbon Steel
3	Stem	SS AISI 420
4	O-ring	NBR or EPDM
5	Disc	Carbon Steel/EPDM or Carbon Steel/NBR
6	Stem	SS AISI 420
7	O-ring	NBR or EPDM
8	O-ring	NBR or EPDM
9	Signal Gear Box	Carbon Steel



DIMENSIONS

Nominal Size	Part No.	L	H	H1	A	B	C
1"	2400-T-100	2.13	4.53	1.30	5.00	1.61	1-11.5 NPT
1-1/4"	2400-T-105	2.64	4.63	1.46	5.00	1.93	1-1/4-11.5 NPT
1-1/2"	2400-T-110	2.90	4.76	1.60	5.00	2.19	1-1/2-11.5 NPT
2"	2400-L-120	3.25	5.16	1.89	5.00	2.80	2-11.5 NPT

Design and materials are subject to change without notice.



WARNING: This product can expose you to chemicals including lead, which is known to the State of California to cause cancer and birth defects or other reproductive harm. For more information go to www.P65Warnings.ca.gov.



NAPAC - UNITED Distribution Centers

229 Southbridge Street, Worcester, MA 01608
 Tel: (800) 807-2215 Fax: (800) 807-2214
www.napacinc.com

Jacksonville, Florida