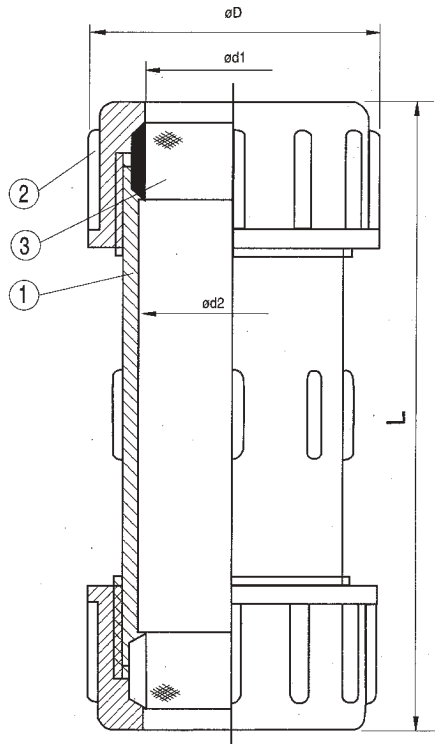


# PVC Compression Coupling

**UNITED  
BRAND**



**1/2" - 6" IPS  
Specification: Schedule 40**

## MATERIAL LIST

ITEM	DESCRIPTION	PCS	MATERIAL
1	Body	1	PVC
2	Union Nut	2	PVC
3	Seat	2	NR

## DIMENSIONAL DATA

Nominal Size	Part No.	L	D	d1	d2
1/2	2010-050	5.19	1.83	0.82	0.90
3/4	2010-070	5.27	2.07	1.03	1.17
1	2010-080	5.69	2.38	1.29	1.40
1 1/4	2010-090	6.24	2.85	1.64	1.79
1 1/2	2010-100	6.83	3.12	1.87	2.03
2	2010-110	7.80	3.59	2.34	2.54
2 1/2	2010-120	9.83	4.49	2.84	2.50
3	2010-130	10.76	5.23	3.46	3.59
4	2010-140	11.82	6.28	4.45	4.60
6	2010-160	15.02	8.70	6.55	6.79

Dimensions in inches

**NAPAC, Inc.**

**229 Southbridge Street, Worcester, MA 01608 U.S.A.**

**Tel: (800) 807-2215 • Fax: (800) 807-2214**