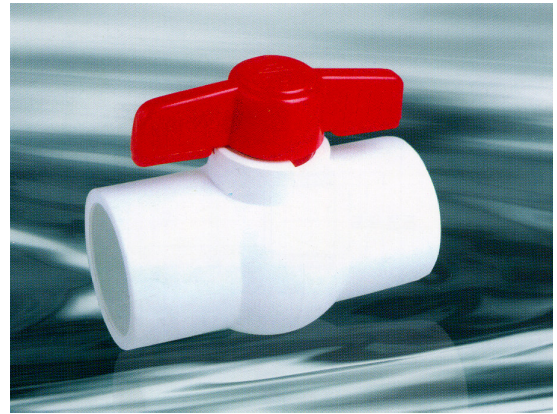
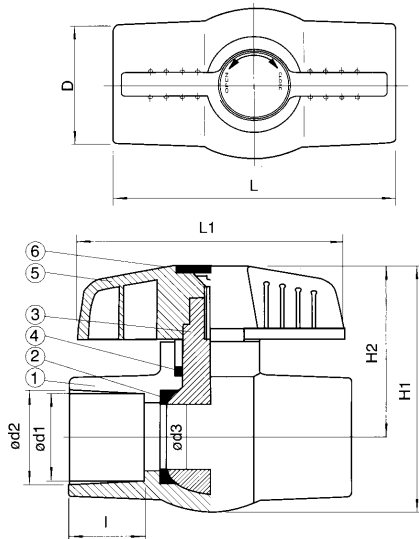


# PVC Compact Ball Valve

(NPT or Socket)

# UNITED BRAND

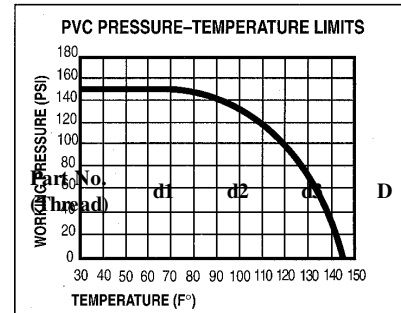


- Large port opening
- For use with Schedule 40 or 80 pipe
- Quarter turn open or closed
- Threaded ends comply with ANSI B1.20.1
- Solvent ends comply with ASTM D2466

## MATERIAL LIST

ITEM	DESCRIPTION	PCS	MATERIAL
1	Body	1	PVC
2	Seat Seal	2	SANTOPRENE
3	Ball & Stem	1	PVC
4	"O"-Ring	1	EPDM
5	Handle	1	ABS
6	Cap	1	ABS

Nominal Part No.  
Size (Socket)



## DIMENSIONAL DATA

Dimensions in inches

## TEMPERATURE PRESSURE RATING

System Operating Temperature °F (°C)	100 (38)	110 (43)	120 (49)	130 (54)	140 (60)	
Valve Pressure Rating (psi)	PVC	235	211	150	75	50