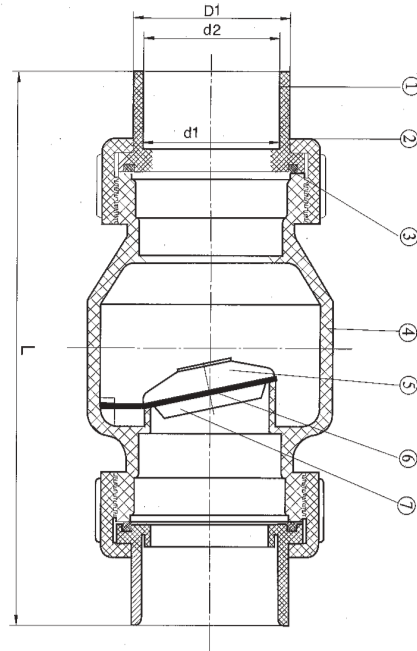


# Pump Check Valves/PVC

# UNITED BRAND



True Union Check Valve



True Union Ball Valve/  
Check Valve Combination

Size: 1 1/2", 2"  
End Connector: Socket  
135 psi Maximum Internal Pressure Rating @ 73°F

## DIMENSIONAL DATA

### True Union Check Valve

Nominal Size	Part No.	d1	d2	I	D1	H
1 1/2	2310-100	1.89	1.91	1.38	2.56	8.00
2	2310-110	2.37	2.39	1.50	3.07	10.00

Dimensions in inches

### True Union Ball Valve/ Check Valve Combination

Nominal Size	Part No.
1 1/2	2410-100
2	2410-110

## MATERIAL LIST

ITEM	DESCRIPTION	PCS	MATERIAL
1	End Connector	2	PVC
2	Union Nut	2	PVC
3	O-Ring	2	EPDM
4	Body	1	PVC
5	Disc	1	PVC
6	Sheet Gasket	1	EPDM, FPM
7	Sheet Gasket Holder	1	PVC

**NAPAC, Inc.**

229 Southbridge Street, Worcester, MA 01608 U.S.A.

Tel: (800) 807-2215 • Fax: (800) 807-2214