

AWWA C509

Resilient Seat GATE VALVE

MODEL 2000PO, 3" - 8"
200 psi Non-Shock Cold Water at 175°F
Resilient Wedge - Non Rising Stem

UNITED BRAND

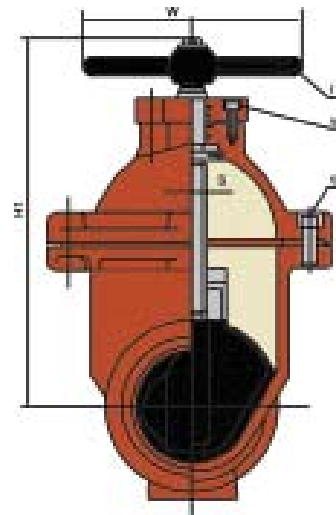
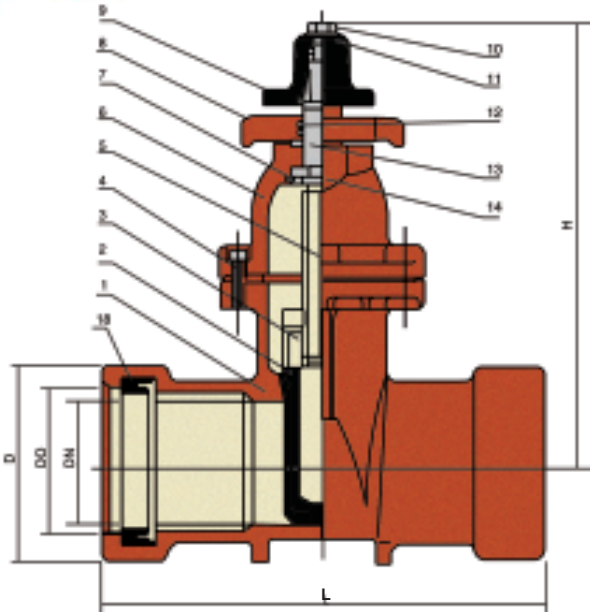


DESCRIPTION:

1. Conforms to AWWA C509.
2. Epoxy coated inside and outside to AWWA C550.
3. Supplied with handwheel unless otherwise specified.

MATERIAL LIST

ITEM NO.	DESCRIPTION	MATERIAL	SPECIFICATION
1	Body	Cast Iron	A126 Class B
2	Disc	Cast Iron (Buna) Encapsulated	A126 Class B
3	Stem Nut	Bronze	B62
4	Bonnet Gasket	Buna-N	ASTM D2000
5	Stem	Stainless Steel	Series 400
6	Bonnett	Cast Iron	A126 Class B
7	C-Clip	Mn Steel	C1065
8	Stuffing Box	Cast Iron	A126 Class B
9	Op. Nut	Cast Iron	A126 Class B
10	Op. Nut Bolt	Stainless Steel	304
11	Washer	Stainless Steel	304
12	O-Ring	Buna-N	ASTM D2000
13	Flat Washer	Buna-N	ASTM D2000
14	Split Ring	Bronze	B62
15	Hand Wheel	Cast Iron	A126 Class B
16	Stuffing Box Bolt	Stainless Steel	304
17	Bonnet Bolt	Stainless Steel	304
18	RT Ring	Buna-N	ASTM D2000



Design and materials are subject to change without notice.

DIMENSIONAL DATA

DN Nominal Size	Part No.	Pipe OD	L	D	Do	S	W	H ₁	H	Wt.
2	2000PO-120	2.375	10.25	3.75	2.45	0.94	7.87	10.75	11.54	33
2-1/2	2000PO-125	2.875	10.75	4.50	3.00	0.94	7.87	11.30	12.09	44
3	2000PO-130	3.500	12.00	5.00	3.60	1.10	7.87	12.52	13.31	55
4	2000PO-140	4.500	14.00	6.50	4.65	1.10	10.24	13.86	14.65	78
6	2000PO-160	6.625	17.00	9.00	6.78	1.26	12.60	17.40	18.19	146
8	2000PO-180	8.625	18.50	11.00	8.75	1.26	14.17	20.87	21.65	236

Form No. NU0006PO

Dimensions in inches - Weight in lbs.

NAPAC, Inc.

229 Southbridge Street, Worcester, MA 01608
Tel: (800) 807-2215 Fax: (800) 807-2214