

AWWA C509

Resilient Seat GATE VALVE

MODEL 2000FM, 3" - 12"

**Flanged End to ANSI B16.1 (125 lb.)
Mechanical Joint End to AWWA C110
200 psi Non-Shock Cold Water at 175°F
Resilient Wedge - Non Rising Stem**

UNITED BRAND

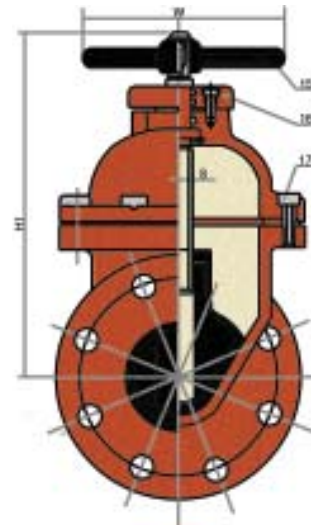
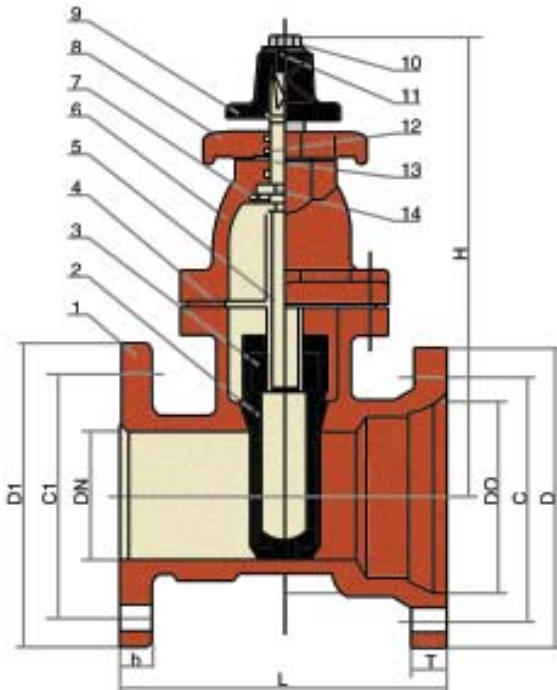


DESCRIPTION:

1. Conforms to AWWA C509.
2. Epoxy coated inside and outside to AWWA C550.
3. 2" square operating cap or optional wheel handle at customer's request.

MATERIAL LIST

ITEM NO.	DESCRIPTION	MATERIAL	SPECIFICATION
1	Body	Cast Iron	A126 Class B
2	Disc	Cast Iron (Buna) Encapsulated	A126 Class B
3	Stem Nut	Bronze	B62
4	Bonnet Gasket	Buna-N	ASTM D2000
5	Stem	Stainless Steel	Series 400
6	Bonnett	Cast Iron	A126 Class B
7	C-Clip	Mn Steel	C1065
8	Stuffing Box	Cast Iron	A126 Class B
9	Op. Nut	Cast Iron	A126 Class B
10	Op. Nut Bolt	Stainless Steel	304
11	Washer	Stainless Steel	304
12	O-Ring	Buna-N	ASTM D2000
13	Flat Washer	Buna-N	ASTM D2000
14	Split Ring	Bronze	B62
15	Hand Wheel	Cast Iron	A126 Class B
16	Stuffing Box Bolt	Stainless Steel	304
17	Bonnet Bolt	Stainless Steel	304



Design and materials are subject to change without notice.

DIMENSIONAL DATA

DN Nominal Size	Part No.	L	D1	C1	D	Do	C	b	MJ Bolt Holes No.	Size	T	Flange Bolt Holes No.	Size	S	W	H ₁	H	Wt.
3	2000FM-130	8.00	7.50	6.00	7.69	4.06	6.19	3/4	4	0.75	15/16	4	0.75	1.10	7.87	12.52	13.31	53
4	2000FM-140	9.00	9.00	7.50	9.12	4.92	7.50	15/16	4	0.88	1	8	0.75	1.10	10.24	13.86	14.65	83
6	2000FM-160	10.50	11.00	9.50	11.12	7.00	9.50	1	6	0.88	1-1/16	8	0.88	1.26	12.60	17.40	18.19	139
8	2000FM-180	11.50	13.50	11.75	13.37	11.22	14.00	1-1/8	6	0.88	1-1/8	8	0.88	1.26	14.17	20.87	21.65	232
10	2000FM-200	13.00	16.00	14.25	15.69	11.22	14.00	1-3/16	8	0.88	1-3/16	12	1.00	1.42	15.98	25.59	26.38	365
12	2000FM-220	14.00	19.00	17.00	17.94	13.30	16.25	1-1/4	8	0.88	1-1/4	12	1.00	1.42	15.98	28.66	29.345	517

Form No. NU0006FM

Dimensions in inches - Weight in lbs.

NAPAC, Inc.

229 Southbridge Street, Worcester, MA 01608

Tel: (800) 807-2215

Fax: (800) 807-2214