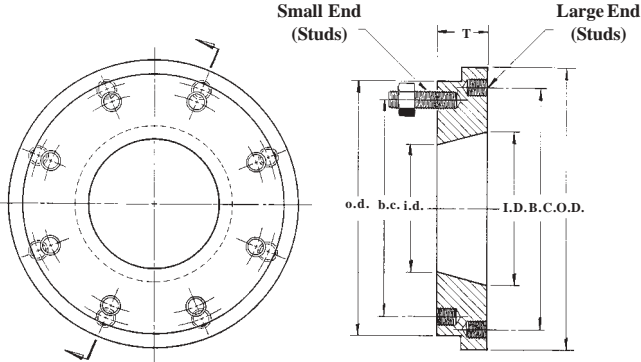


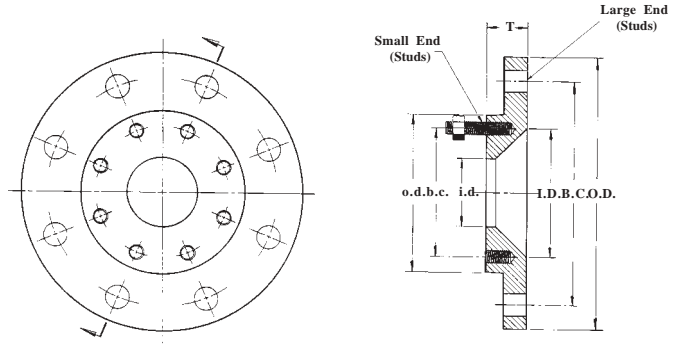
**COMPACT FLANGE
REDUCER
Class 125/150 Flanges**

**Material: Ductile Iron
ASTM A536 or ASTM A36
Steel**

TYPE A



TYPE B



*On Type B, larger flange sizes use standard hex head nuts and bolts.

| Flange Size | Part No. | Type | Large End | | | Small End | | | T | Large End Studs | | Small End Studs | |
|---------------|-------------|------|-----------|-------|-------|-----------|-------|-------|------|-----------------|-------------|-----------------|-------------|
| | | | I.D. | O.D. | B.C. | i.d. | o.d. | b.c. | | Qty. | Size | Qty. | Size |
| 2 x 1 1/2 | 740-110-100 | A | 2.00 | 6.00 | 4.75 | 1.50 | 6.00 | 3.88 | 1.50 | 4 | 5/8 x 2 1/2 | 4 | 1/2 x 2 1/2 |
| 2 1/2 x 1 1/2 | 740-120-100 | A | 2.50 | 7.00 | 5.50 | 1.50 | 6.00 | 3.88 | 1.50 | 4 | 5/8 x 2 1/2 | 4 | 1/2 x 2 1/2 |
| 2 1/2 x 2 | 740-120-110 | A | 2.50 | 7.00 | 5.50 | 2.00 | 6.00 | 4.75 | 1.50 | 4 | 5/8 x 2 1/2 | 4 | 5/8 x 2 1/2 |
| 3 x 1 1/2 | 740-130-100 | A | 3.00 | 7.50 | 6.00 | 1.50 | 6.00 | 3.88 | 1.50 | 4 | 5/8 x 2 1/2 | 4 | 1/2 x 2 1/2 |
| 3 x 2 | 740-130-110 | A | 3.00 | 7.50 | 6.00 | 2.00 | 6.00 | 4.75 | 1.50 | 4 | 5/8 x 2 1/2 | 4 | 5/8 x 2 1/2 |
| 3 x 2 1/2 | 740-130-120 | A | 3.00 | 7.50 | 6.00 | 2.50 | 7.00 | 5.50 | 1.50 | 4 | 5/8 x 2 1/2 | 4 | 5/8 x 2 1/2 |
| 4 x 2 | 740-140-110 | A | 4.00 | 9.00 | 7.50 | 2.00 | 6.00 | 4.75 | 1.50 | 8 | 5/8 x 2 1/2 | 4 | 5/8 x 2 1/2 |
| 4 x 2 1/2 | 740-140-120 | A | 4.00 | 9.00 | 7.50 | 2.50 | 7.00 | 5.50 | 1.50 | 8 | 5/8 x 2 1/2 | 4 | 5/8 x 2 1/2 |
| 4 x 3 | 740-140-130 | A | 4.00 | 9.00 | 7.50 | 3.00 | 7.50 | 6.00 | 1.50 | 8 | 5/8 x 2 1/2 | 4 | 5/8 x 2 1/2 |
| 6 x 2 1/2 | 740-160-120 | B | 6.00 | 11.00 | 9.50 | 2.50 | 7.00 | 5.50 | 1.50 | - | * | 4 | 5/8 x 2 1/2 |
| 6 x 3 | 740-160-130 | B | 6.00 | 11.00 | 9.50 | 3.00 | 7.50 | 6.00 | 1.50 | - | * | 4 | 5/8 x 2 1/2 |
| 6 x 4 | 740-160-140 | A | 6.00 | 11.00 | 9.50 | 4.00 | 9.00 | 7.50 | 2.00 | 8 | 3/4 x 3 | 8 | 5/8 x 2 1/2 |
| 6 x 5 | 740-160-150 | A | 6.00 | 11.00 | 9.50 | 5.00 | 10.00 | 8.50 | 2.00 | 8 | 3/4 x 3 | 8 | 3/4 x 3 |
| 8 x 4 | 740-180-140 | B | 8.00 | 13.50 | 11.75 | 4.00 | 9.00 | 7.50 | 2.00 | - | * | 8 | 5/8 x 2 1/2 |
| 8 x 5 | 740-180-150 | A | 8.00 | 13.50 | 11.75 | 5.00 | 10.00 | 8.50 | 2.00 | 8 | 3/4 x 3 1/2 | 8 | 3/4 x 3 |
| 8 x 6 | 740-180-160 | A | 8.00 | 13.50 | 11.75 | 6.00 | 11.00 | 9.50 | 2.00 | 8 | 3/4 x 3 1/2 | 8 | 3/4 x 3 |
| 10 x 4 | 740-200-140 | B | 10.00 | 16.00 | 14.25 | 4.00 | 9.00 | 7.50 | 2.00 | - | * | 8 | 5/8 x 2 1/2 |
| 10 x 5 | 740-200-150 | B | 10.00 | 16.00 | 14.25 | 5.00 | 10.00 | 8.50 | 2.00 | - | * | 8 | 3/4 x 3 |
| 10 x 6 | 740-200-160 | A | 10.00 | 16.00 | 14.25 | 6.00 | 11.00 | 9.50 | 2.00 | 12 | 7/8 x 3 3/4 | 8 | 3/4 x 3 |
| 10 x 8 | 740-200-180 | A | 10.00 | 16.00 | 14.25 | 8.00 | 13.50 | 11.75 | 2.00 | 12 | 7/8 x 3 3/4 | 8 | 3/4 x 3 1/2 |
| 12 x 4 | 740-220-140 | B | 12.00 | 19.00 | 17.00 | 4.00 | 9.00 | 7.50 | 2.00 | - | * | 8 | 5/8 x 2 1/2 |
| 12 x 6 | 740-220-160 | B | 12.00 | 19.00 | 17.00 | 6.00 | 11.00 | 9.50 | 2.00 | - | * | 8 | 3/4 x 3 |
| 12 x 8 | 740-220-180 | A | 12.00 | 19.00 | 17.00 | 8.00 | 13.50 | 11.75 | 2.00 | 12 | 7/8 x 3 3/4 | 8 | 3/4 x 3 1/2 |
| 12 x 10 | 740-220-200 | A | 12.00 | 19.00 | 17.00 | 10.00 | 16.00 | 14.25 | 2.00 | 12 | 7/8 x 3 3/4 | 12 | 7/8 x 3 3/4 |
| 14 x 6 | 740-240-160 | B | 14.00 | 21.00 | 18.75 | 6.00 | 11.00 | 9.50 | 2.50 | - | * | 8 | 3/4 x 3 |
| 14 x 8 | 740-240-180 | B | 14.00 | 21.00 | 18.75 | 8.00 | 13.50 | 11.75 | 2.50 | - | * | 8 | 3/4 x 3 1/2 |
| 14 x 10 | 740-240-200 | A | 14.00 | 21.00 | 18.75 | 10.00 | 16.00 | 14.25 | 2.50 | 12 | 1 x 4 | 12 | 7/8 x 3 3/4 |
| 14 x 12 | 740-240-220 | A | 14.00 | 21.00 | 18.75 | 12.00 | 19.00 | 17.00 | 2.50 | 12 | 1 x 4 | 12 | 7/8 x 3 3/4 |
| 16 x 6 | 740-260-160 | B | 16.00 | 23.50 | 21.25 | 3.00 | 11.00 | 9.50 | 2.50 | - | * | 8 | 3/4 x 3 |
| 16 x 8 | 740-260-180 | B | 16.00 | 23.50 | 21.25 | 8.00 | 13.50 | 11.75 | 2.50 | - | * | 8 | 3/4 x 3 1/2 |
| 16 x 10 | 740-260-200 | B | 16.00 | 23.50 | 21.25 | 10.00 | 16.00 | 14.25 | 2.50 | - | * | 12 | 7/8 x 3 3/4 |
| 16 x 12 | 740-260-220 | A | 16.00 | 23.50 | 21.25 | 12.00 | 19.00 | 17.00 | 2.50 | 16 | 1 x 4 | 12 | 7/8 x 3 3/4 |
| 16 x 14 | 740-260-240 | A | 16.00 | 23.50 | 21.25 | 14.00 | 21.00 | 18.75 | 2.50 | 16 | 1 x 4 | 12 | 1 x 4 |

NAPAC, Inc.

**229 Southbridge Street , Worcester, MA 01608
Tel.: (800) 807-2215 • Fax: (800) 807-2214**